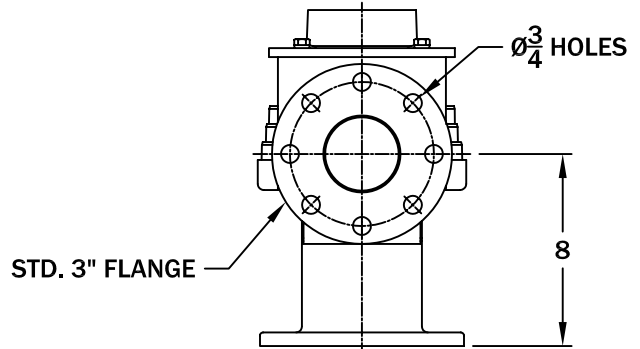
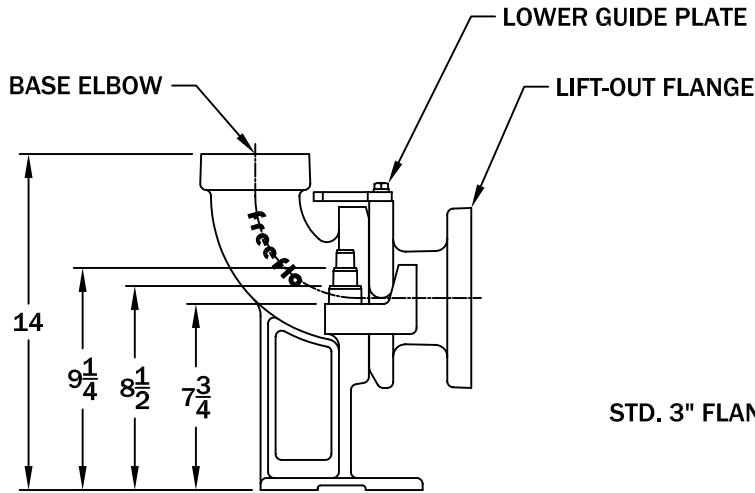
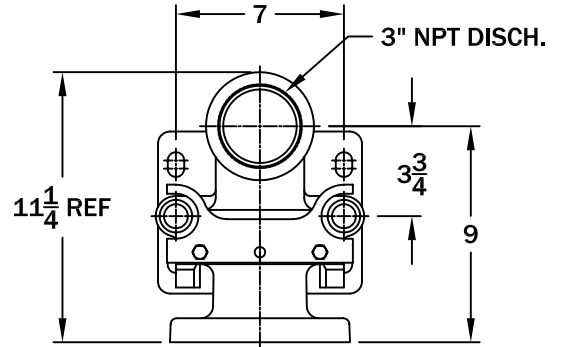
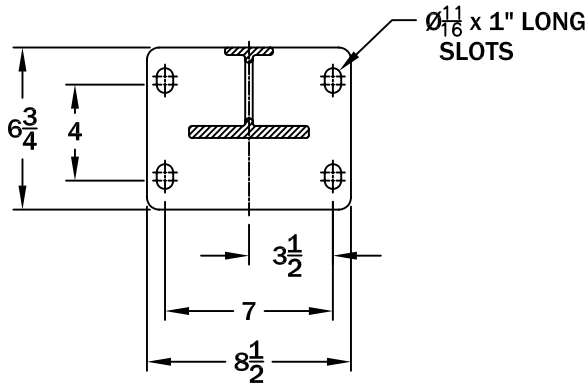


NOTE: ALL DIMENSIONS ARE IN INCHES.  
 MATERIALS OF CONSTRUCTION:  
 BASE ELBOW: CAST DUCTILE IRON  
 LIFT-OUT FLANGE: CAST BRASS  
 LOWER GUIDE BRACKET: CAST BRASS  
 ALL FASTENERS ARE 304 SERIES SST  
 USEABLE GUIDE RAIL SIZES:  $\frac{3}{4}$ " , 1" ,  $1\frac{1}{4}$ "  
 SPHERICAL SOLIDS SIZE: 3" Diameter.  
 MAXIMUM WEIGHT ALLOWANCE: 400lbs.

BERS 300HEX

PAGE  
1

MOUNTING DIMENSIONS



ALL INFORMATION CONTAINED IN THIS DRAWING IS  
 CONFIDENTIAL AND PROPRIETARY TO CONERY MFG, INC.



CHANGES	TOLERANCES	DRAWN BY	DATE
F	DECIMALS .XXX = ±.005 .XX = ±.010 FRACTIONAL X/X = ±.1/64 ANGLES X' = ±1/2'	D. MIDDLETON	07/15/04
E		MATERIAL SPECIFICATION:  AS NOTED	
D			
C			
B			
A			

SPECIFICATION SHEET  
 DIMENSIONAL DATA

SCALE: 1/8 PART NO. 3" LIFT OUT DIM