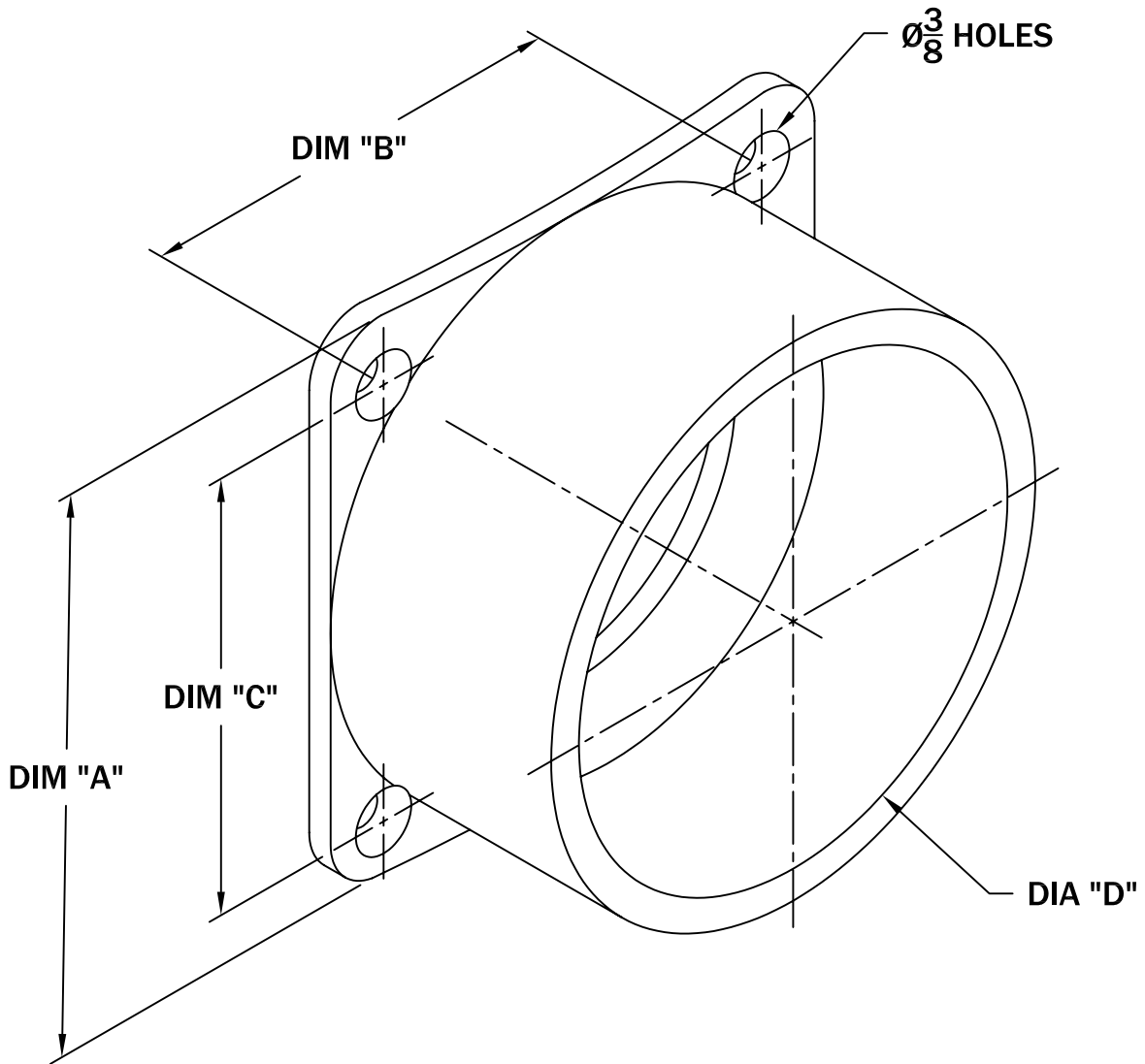


NOTES: CIH 800 HAS 6 MOUNTING HOLES AND IS HEXAGONAL SHAPED.

INLET HUB

PAGE
1

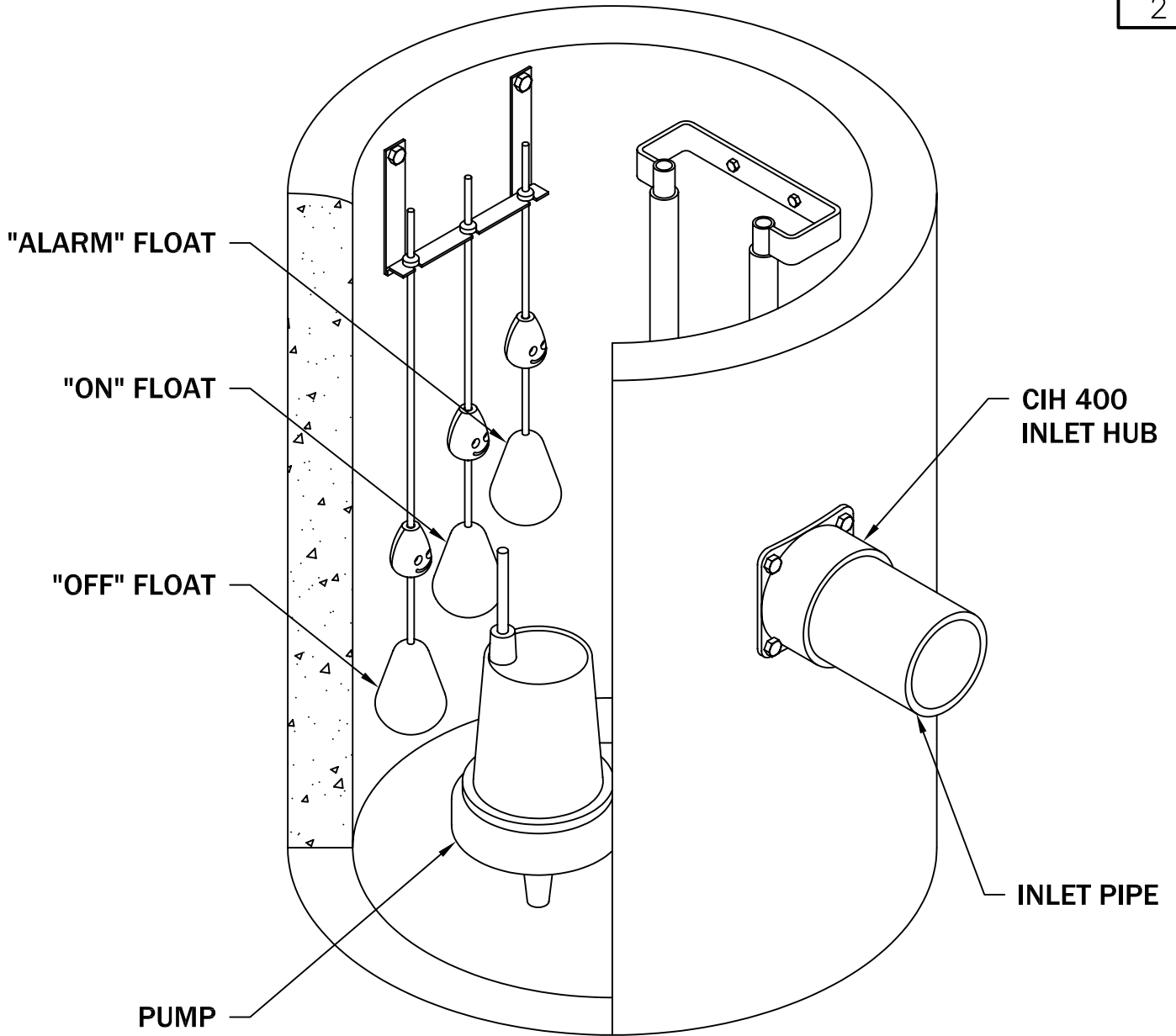


MODEL NO.	DIM "A"	DIM "B"	DIM "C"	DIA "D"	PART WIDTH
CIH 400	6"	4 11/16"	4 11/16"	5 5/16"	3"
CIH 600	8"	6 11/16"	6 11/16"	7 5/16"	3"
CIH 800	12 1/4"	11 1/4"	11 1/4"	9 5/16"	3"

ALL INFORMATION CONTAINED IN THIS DRAWING IS CONFIDENTIAL AND PROPRIETARY TO CONERY MFG, INC.



CHANGES	TOLERANCES	DRAWN BY	DATE	SPECIFICATION SHEET DIMENSIONAL DATA	
F	DECIMALS .xxx = ±.005 .xx = ±.010 FRACTIONAL x/x = ±.1/64 ANGLES x' = ±1/2'	D. MIDDLETON	03/22/04		
E		MATERIAL SPECIFICATION:		HALF	CAST IRON
D					
C					
B					
A					



ALL INFORMATION CONTAINED IN THIS DRAWING IS
CONFIDENTIAL AND PROPRIETARY TO CONERY MFG, INC.



CHANGES	TOLERANCES	DRAWN BY	DATE
F	DECIMALS	D. MIDDLETON	03/22/04
E	.XXX = ±.005	MATERIAL SPECIFICATION:	
D	.XX = ±.010		
C	FRACTIONAL		
B	X/X = ±.1/64		
A	ANGLES		
	X' = ±1/2'		

SPECIFICATION SHEET DIMENSIONAL DATA	
SCALE:	PART NO.
HALF	CAST IRON