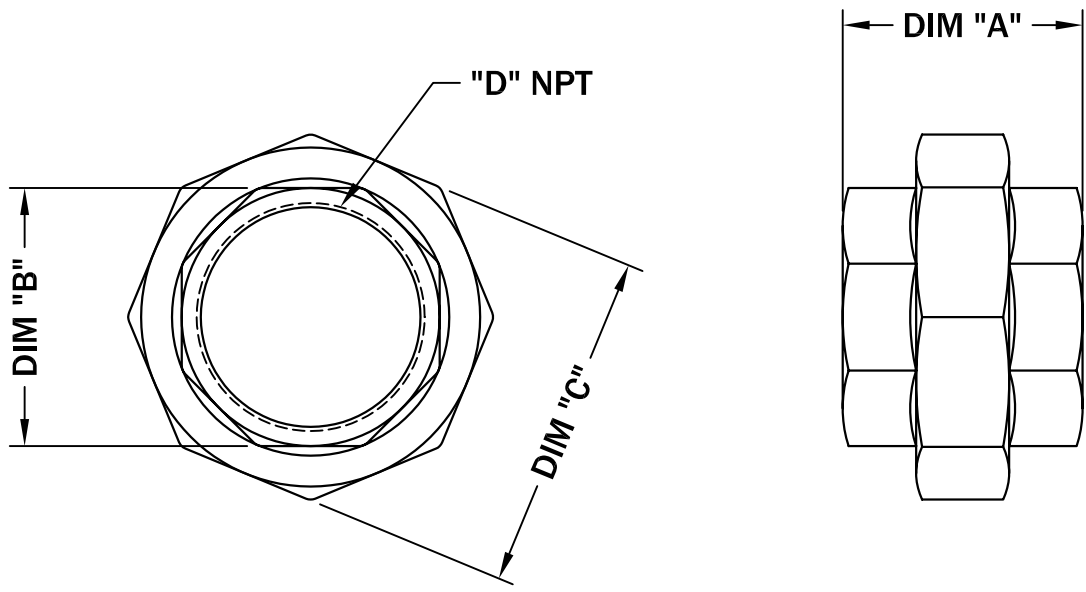


NOTE: SSU-200 SHOWN  
 DIMENSIONS MAY VARY FROM NOMINAL  
 VALUES GIVEN BELOW.

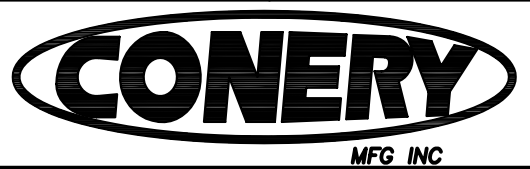
SSU SERIES

PAGE  
 1



MODEL NO.	DIM "A"	DIM "B"	DIM "C"	"D" NPT
SSU-125	2-3/16"	1-15/16"	2-5/8"	1-1/4"
SSU-200	2-1/2"	2-11/16"	3-1/2"	2"
SSU-300	3-1/8"	3-7/8"	4-13/16"	3"

ALL INFORMATION CONTAINED IN THIS DRAWING IS  
 CONFIDENTIAL AND PROPRIETARY TO CONERY MFG, INC.



CHANGES	TOLERANCES	DRAWN BY	DATE
F	DECIMALS .XXX = ±.005 .XX = ±.010 FRACTIONAL X/X = ±.1/64 ANGLES X° = ±1/2°	D. MIDDLETON	12/12/06
E		MATERIAL SPECIFICATION:  304 SERIES STAINLESS STEEL	
D			
C			
B			
A			

<b>SPECIFICATION SHEET          DIMENSIONAL DATA</b>	
SCALE:	PART NO.
1/2	UNIONS