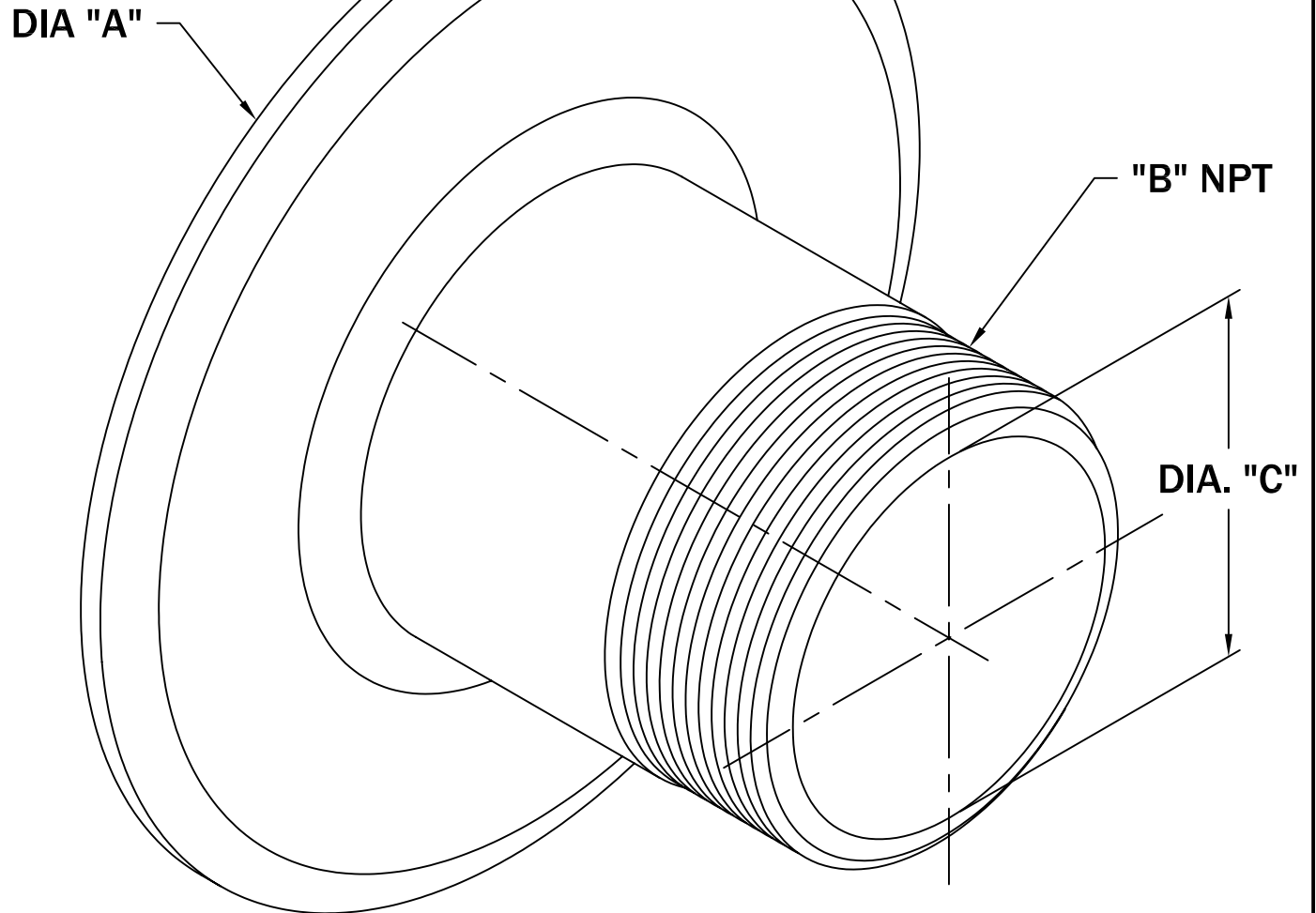


(SLF 200 SHOWN)

QUICK DISCONNECT

PAGE  
1



MODEL NO.	DIA. "A"	"B" NPT	DIA. "C"	LENGTH	MAT'L SPEC.
SLF 125	3 7/8"	1 1/4"	1 3/8"	2 9/16"	300 SERIES SST
SLF 200	5 1/4"	2"	2 1/32"	3 1/16"	300 SERIES SST

ALL INFORMATION CONTAINED IN THIS DRAWING IS  
CONFIDENTIAL AND PROPRIETARY TO CONERY MFG, INC.



CHANGES	TOLERANCES	DRAWN BY	DATE	SPECIFICATION SHEET DIMENSIONAL DATA	
F	DECIMALS .xxx = ±.005 .xx = ±.010 FRACTIONAL x/x = ±.1/64 ANGLES x° = ±1/2°	D. MIDDLETON	03/22/04	SCALE:	PART NO.
E		MATERIAL SPECIFICATION:  AS NOTED		FULL	STAINLESS STEEL
D					
C					
B					
A					