

## FLOAT SWITCH – CONTROL DUTY

### 2900 MERCURY SERIES – NARROW ANGLE FLOAT SWITCH

#### GENERAL

DESIGNED FOR ACCURATE LIQUID LEVEL CONTROL IN MANY APPLICATIONS INCLUDING SEWAGE ENVIRONMENTS. THE FLOAT SWITCH CAN BE UTILIZED TO SIGNIFY SPECIFIC WATER LEVELS OR FOR DIRECT ALARM ACTUATION.

#### SWITCH VARIATIONS

##### NORMALLY OPEN (N/O)

THE CONTACTS ARE OPEN (OR OFF) IN THE HANGING POSITION. AS THE FLOAT RISES 1" (5°) ABOVE HORIZONTAL, THE CONTACTS BECOME CLOSED AND ACTUATE (TURN ON) THE SWITCH. THIS FLOAT IS GENERALLY USED IN PUMP DOWN APPLICATIONS.

##### NORMALLY CLOSED (N/C)

THE CONTACTS ARE CLOSED (OR ON) IN THE HANGING POSITION. AS THE FLOAT RISES 1" (5°) ABOVE HORIZONTAL, THE CONTACTS BECOME OPEN AND ACTUATE (TURN OFF) THE SWITCH. THIS FLOAT IS GENERALLY USED IN PUMP UP APPLICATIONS.

##### SINGLE POLE, DOUBLE THROW (SPDT)

A VARIATION OF THE PREVIOUSLY LISTED SWITCHES. THIS FLOAT SWITCH CAN BE WIRED TO OPERATE AS EITHER (BUT NOT BOTH) A NORMALLY OPEN OR NORMALLY CLOSED SWITCH BASED ON THE USER'S NEED.

#### SWITCH SPECIFICATIONS

2900 SERIES MERCURY FLOAT SWITCHES ARE DESIGNED TO OPERATE UNDER THE FOLLOWING PARAMETERS.

MINIMUM OPERATING TEMPERATURE	-	32 DEGREES F.
MAXIMUM OPERATING TEMPERATURE	-	170 DEGREES F.
ELECTRICAL RATING	-	10 AMP – 120 VAC, 3 AMP – 240 VAC
ACTUATION POINT	-	1" ABOVE / BELOW HORIZONTAL.

#### POWER CORD SPECIFICATIONS

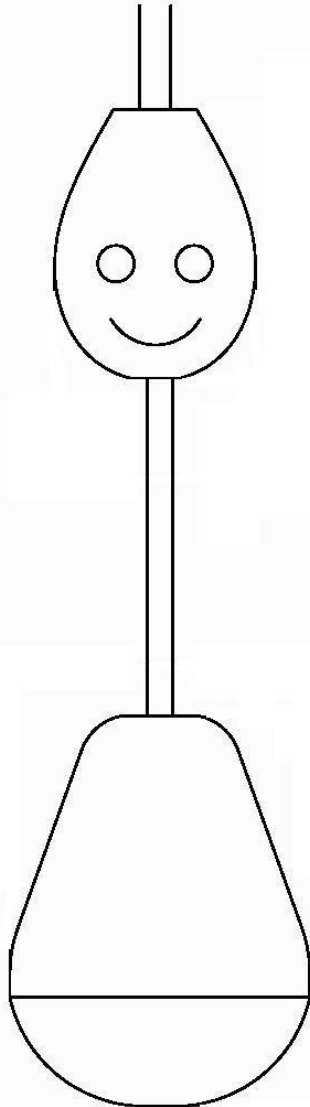
CONDUCTOR CORD – PHYSICAL	-	CHLORINATED POLY ETHYLENE.
ELECTRICAL FOR N/O OR N/C SWITCH	-	18 AWG 2, TYPE SJOOW-300 VOLT.
ELECTRICAL FOR SPDT SWITCH	-	18 AWG 3, TYPE SJOOW-300 VOLT.

#### FLOAT SPECIFICATIONS

DURABLE POLYPROPYLENE MATERIAL CONSTRUCTION.  
SOLID POLYURETHANE FOAM INTERIOR.  
LEAK PROOF, SHOCK PROOF, AND IMPACT RESISTANT.  
RESISTANT TO SEWAGE AND WASTEWATER APPLICATIONS.  
FOR USE WITH INTRINSICALLY SAFE CIRCUITS.

#### CORD WEIGHT

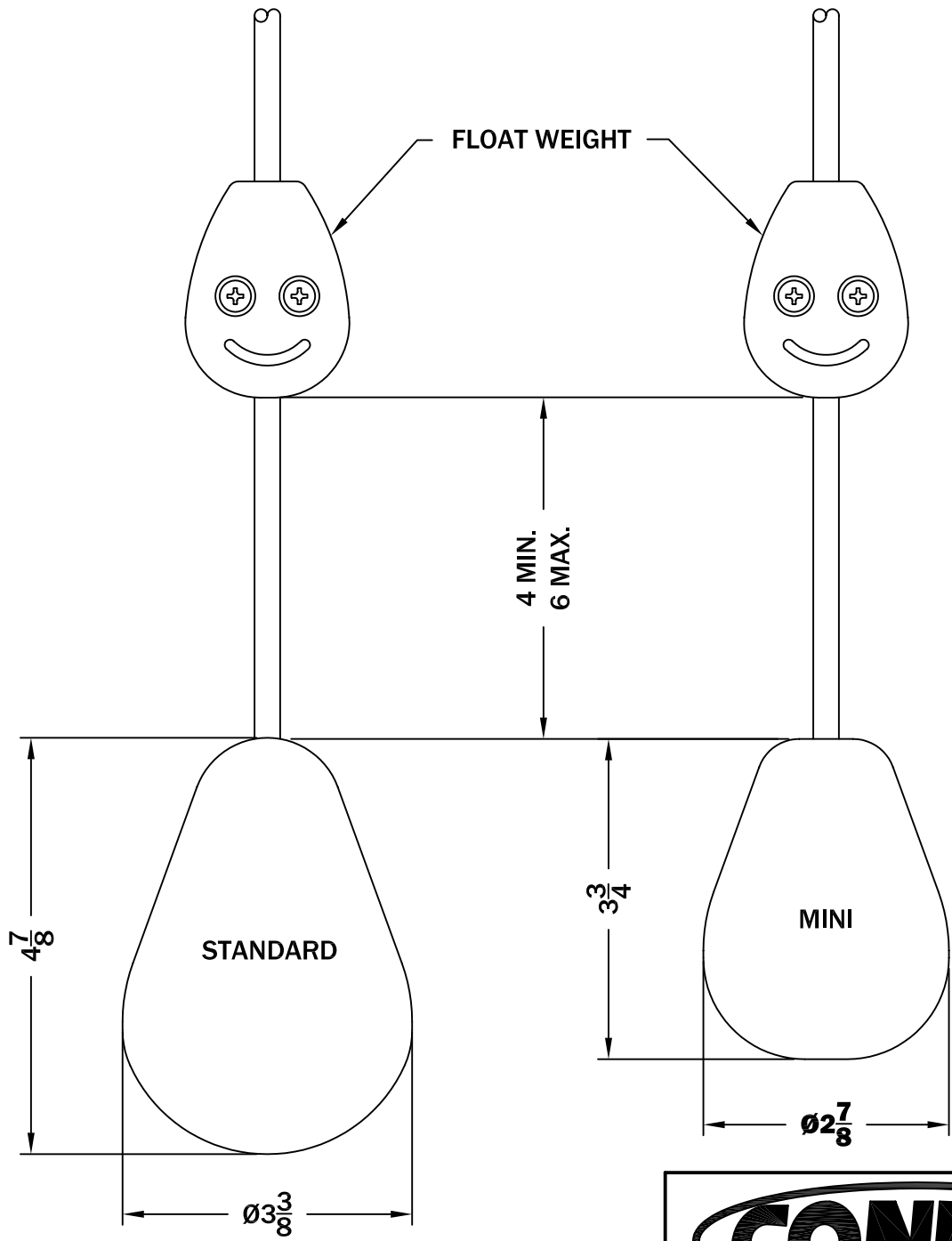
ZINC PLATED CAST IRON – 1.22 LBS.  
SPLIT WEIGHT DESIGN ALLOWS FOR EASY ADJUSTMENT.  
DESIGN ALLOWS FOR SECURE AND PERMANENT ATTACHMENT TO CORD.



CONERY MFG INC  
info@conerymfg.com

1380 ENTERPRISE PARKWAY  
PH (419) 289-1444

ASHLAND, OH 44805  
FAX (419) 281-0366



ALL INFORMATION CONTAINED IN THIS DRAWING IS  
CONFIDENTIAL AND PROPRIETARY TO CONERY MFG, INC.



CHANGES		TOLERANCES		DRAWN BY		DATE		SPECIFICATION SHEET MERCURY FLOAT			
F		DECIMALS .XXX = ±.005 .XX = ±.010		D. MIDDLETON		03/18/04					
E		FRACTIONAL X/X = ±.1/64		MATERIAL SPECIFICATION:  NARROW ANGLE FLOAT SWITCH				SCALE: PART NO.			
D		ANGLES X° = ±1/2°						HALF		2900 SERIES B1,B2	
C											
B											
A											

NOTE: ALL ELECTRICAL DIAGRAMS SHOWN ARE EXAMPLES ONLY,  
 CONSULT WITH LOCAL ELECTRICAL AUTHORITIES AND CODES.  
 DO NOT USE THESE PRODUCTS IN GASOLINE, VOLATILES,  
 OTHER COMBUSTIBLES.

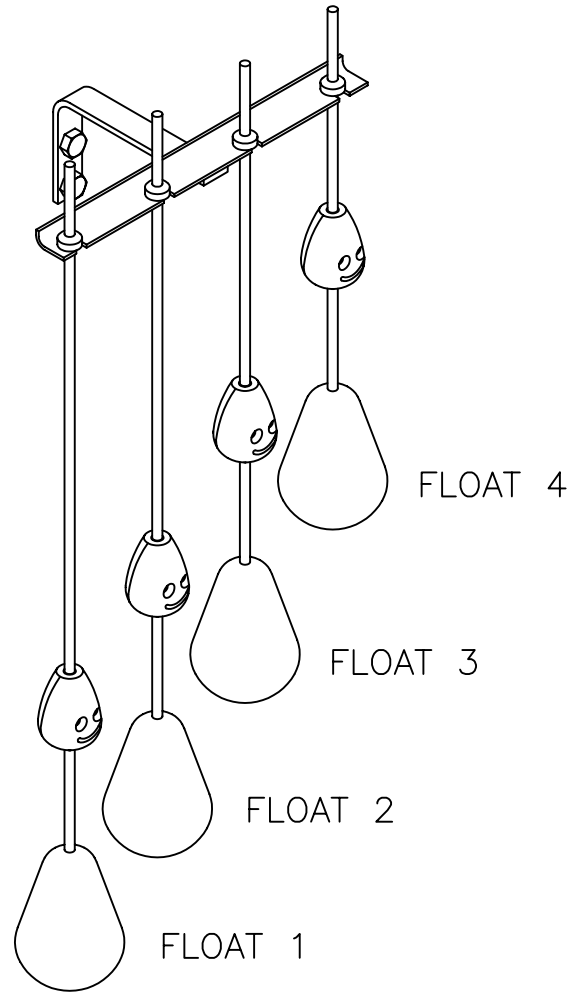
FOR PUMP DOWN USE  
 (NORMALLY OPEN FLOATS)

FOR PUMP UP USE  
 (NORMALLY CLOSED FLOATS)

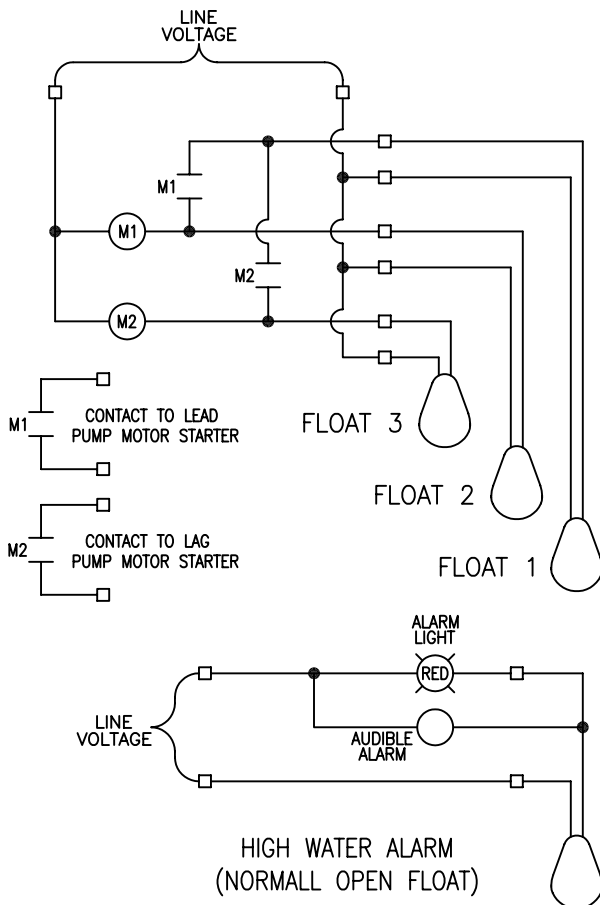
FOR SPDT FLOATS  
 GREEN - N/O  
 WHITE - COMMON  
 BLACK - N/C



TYPICAL MOUNTING



TYPICAL 2 PUMP USES



ALL INFORMATION CONTAINED IN THIS DRAWING IS  
 CONFIDENTIAL AND PROPRIETARY TO CONERY MFG, INC.



CHANGES	TOLERANCES	DRAWN BY	DATE
F	DECIMALS	D. MIDDLETON	03/18/04
E	.XXX = ±.005	MATERIAL SPECIFICATION:  NARROW ANGLE FLOAT SWITCH	
D	.XX = ±.010		
C	FRACTIONAL		
B	X/X = ±.1/64		
A	ANGLES		
	X' = ±1/2'		

SPECIFICATION SHEET  
 MERCURY FLOAT

SCALE:	PART NO.
NONE	2900 SERIES B1,B2