

FLOAT SWITCH – CONTROL DUTY

2900 MERCURY SERIES – NARROW ANGLE INTERNALLY WEIGHTED

GENERAL

DESIGNED FOR ACCURATE LIQUID LEVEL CONTROL IN MANY APPLICATIONS, INCLUDING SEWAGE ENVIRONMENTS. THE FLOAT SWITCH CAN BE UTILIZED TO SIGNIFY SPECIFIC WATER LEVELS OR FOR DIRECT ALARM ACTUATION.

SWITCH VARIATIONS

NORMALLY OPEN (N/O)

THE CONTACTS ARE OPEN (OR OFF) IN THE HANGING POSITION. AS THE FLOAT RISES 1" (5°) ABOVE HORIZONTAL, THE CONTACTS BECOME CLOSED AND ACTUATE (TURN ON) THE SWITCH. THIS FLOAT IS GENERALLY USED IN PUMP DOWN APPLICATIONS.

NORMALLY CLOSED (N/C)

THE CONTACTS ARE CLOSED (OR ON) IN THE HANGING POSITION. AS THE FLOAT RISES 1" (5°) ABOVE HORIZONTAL, THE CONTACTS BECOME OPEN AND ACTUATE (TURN OFF) THE SWITCH. THIS FLOAT IS GENERALLY USED IN PUMP UP APPLICATIONS.

SINGLE POLE, DOUBLE THROW (SPDT)

A VARIATION OF THE PREVIOUSLY LISTED SWITCHES. THIS FLOAT SWITCH CAN BE WIRED TO OPERATE AS EITHER (BUT NOT BOTH) A NORMALLY OPEN OR NORMALLY CLOSED SWITCH BASED ON THE USER'S NEED.

SWITCH SPECIFICATIONS

2900 SERIES MERCURY FLOAT SWITCHES ARE DESIGNED TO OPERATE UNDER THE FOLLOWING PARAMETERS.

MINIMUM OPERATING TEMPERATURE	-	32 DEGREES F.
MAXIMUM OPERATING TEMPERATURE	-	170 DEGREES F.
ELECTRICAL RATING	-	10 AMP – 120 VAC, 3 AMP – 240 VAC
ACTUATION POINT	-	1" ABOVE / BELOW HORIZONTAL.

POWER CORD SPECIFICATIONS

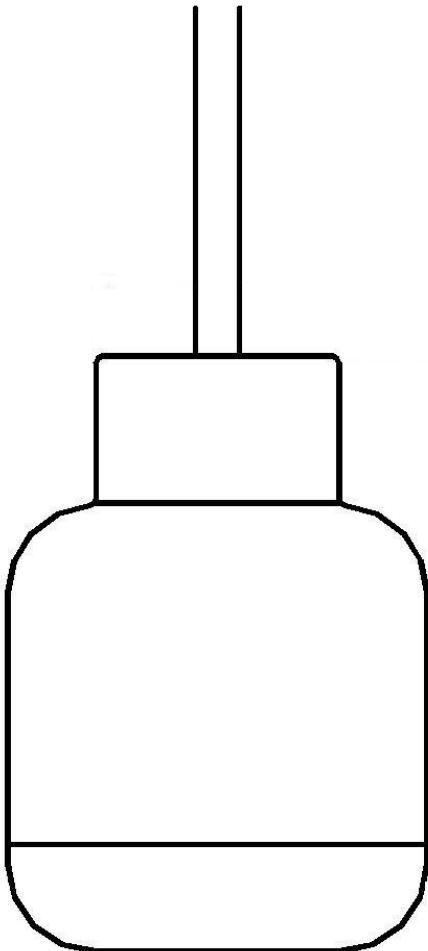
CONDUCTOR CORD – N/O OR N/C	-	CHLORINATED POLY ETHYLENE.
CONDUCTOR CORD – SPDT	-	CHLORINATED POLY ETHYLENE.
ELECTRICAL FOR N/O OR N/C SWITCH	-	16 AWG 2, TYPE STOW-600 VOLT.
ELECTRICAL FOR SPDT SWITCH	-	18 AWG 3, TYPE SJOOW-300 VOLT.

FLOAT SPECIFICATIONS

DURABLE ABS MATERIAL CONSTRUCTION.
SOLID POLYURETHANE FOAM INTERIOR.
LEAK PROOF, SHOCK PROOF, AND IMPACT RESISTANT.
RESISTANT TO SEWAGE AND WASTEWATER APPLICATIONS.
FOR USE WITH INTRINSICALLY SAFE CIRCUITS.

INTERNALLY WEIGHTED SWITCH

CAST IRON WEIGHT IS PLACED INTERNALLY AT THE NECK OF THE FLOAT HOUSING. NO EXTERNAL WEIGHT IS NEEDED. HEIGHT CAN BE ADJUSTED BY SIMPLY RAISING OR LOWERING THE FLOAT.



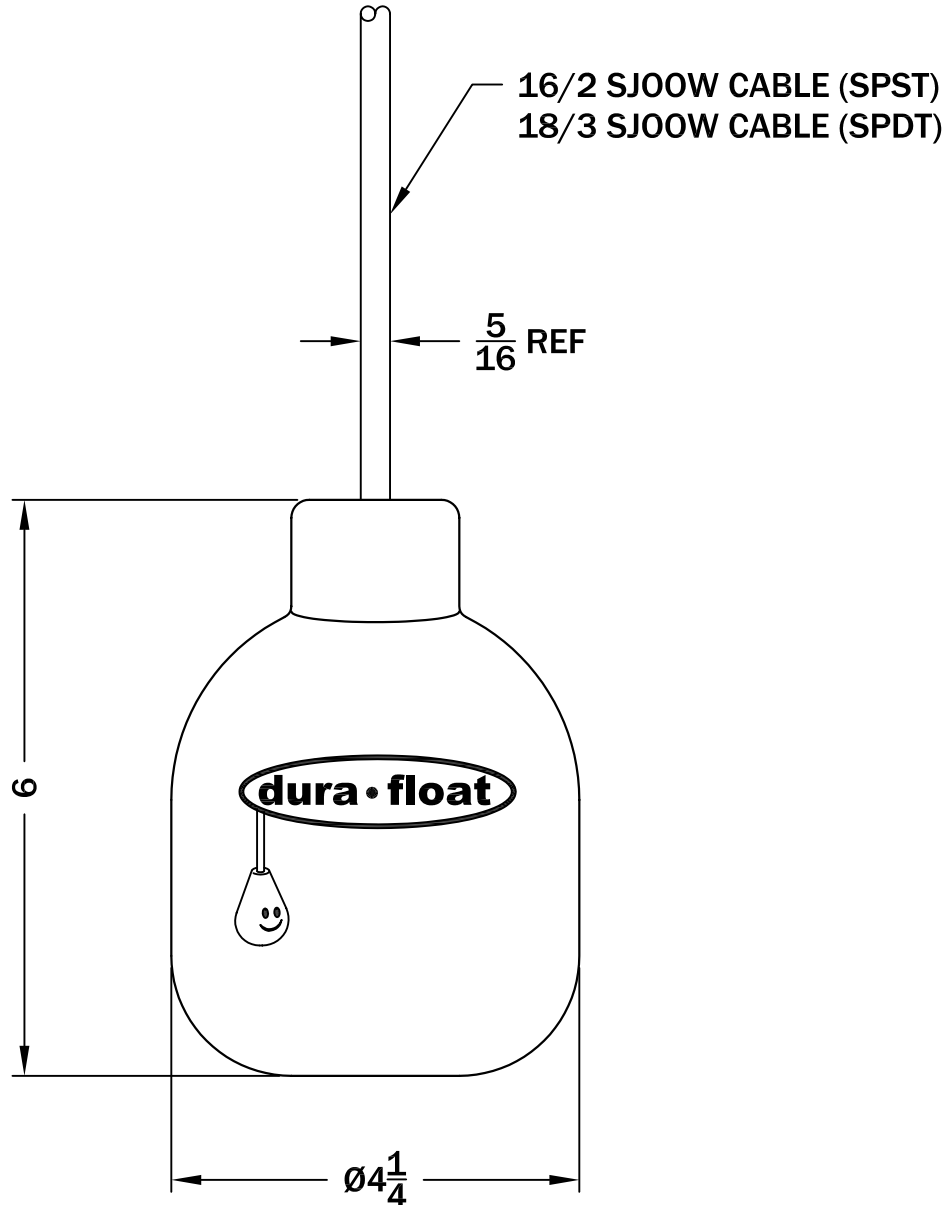


IND. CONT. EQ.
47UF
E190171

Type: NAMERC
10 Amp @ 120 Vac
3 Amp @ 240 Vac

2900 SERIES B4

PAGE
1



ALL INFORMATION CONTAINED IN THIS DRAWING IS CONFIDENTIAL AND PROPRIETARY TO CONERY MFG, INC.



CHANGES	TOLERANCES	DRAWN BY	DATE
F	DECIMALS .xxx = ±.005	D. MIDDLETON	02/20/04
E	.xx = ±.010	MATERIAL SPECIFICATION: NARROW ANGLE MERCURY FLOAT	
D	FRACTIONAL		
C	x/x = ±.1/64		
B	ANGLES		
A	x' = ±1/2'		

SPECIFICATION SHEET INTERNALLY WEIGHTED	
SCALE:	PART NO.
HALF	2900 SERIES B4

NOTE: ALL ELECTRICAL DIAGRAMS SHOWN ARE EXAMPLES ONLY,
 CONSULT WITH LOCAL ELECTRICAL AUTHORITIES AND CODES.
 DO NOT USE THESE PRODUCTS IN GASOLINE, VOLATILES,
 OTHER COMBUSTIBLES.

2900 SERIES B4

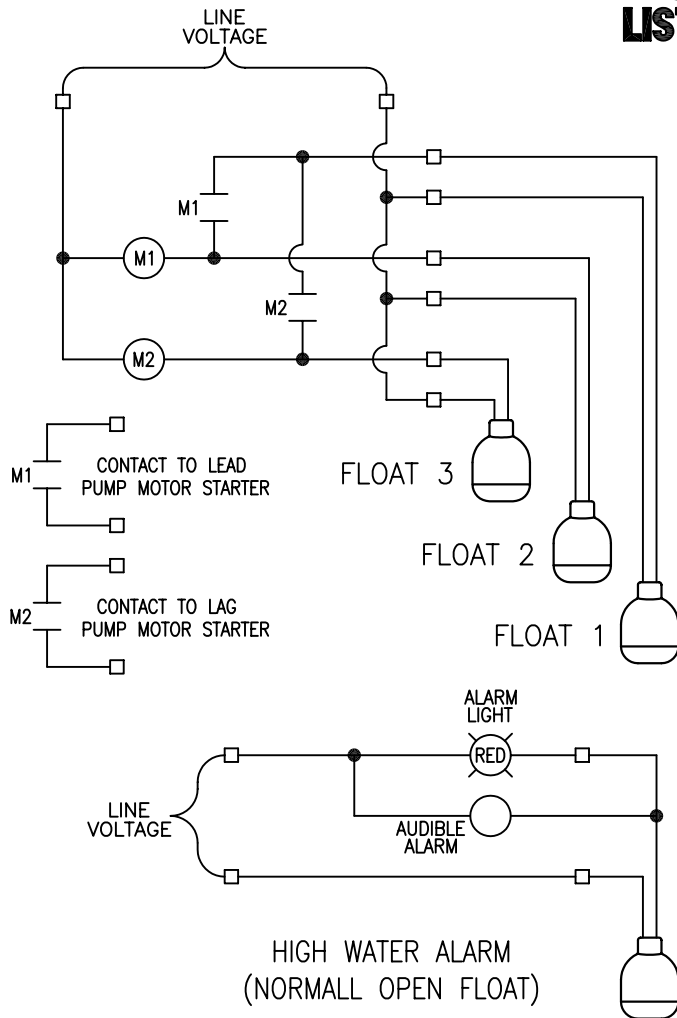
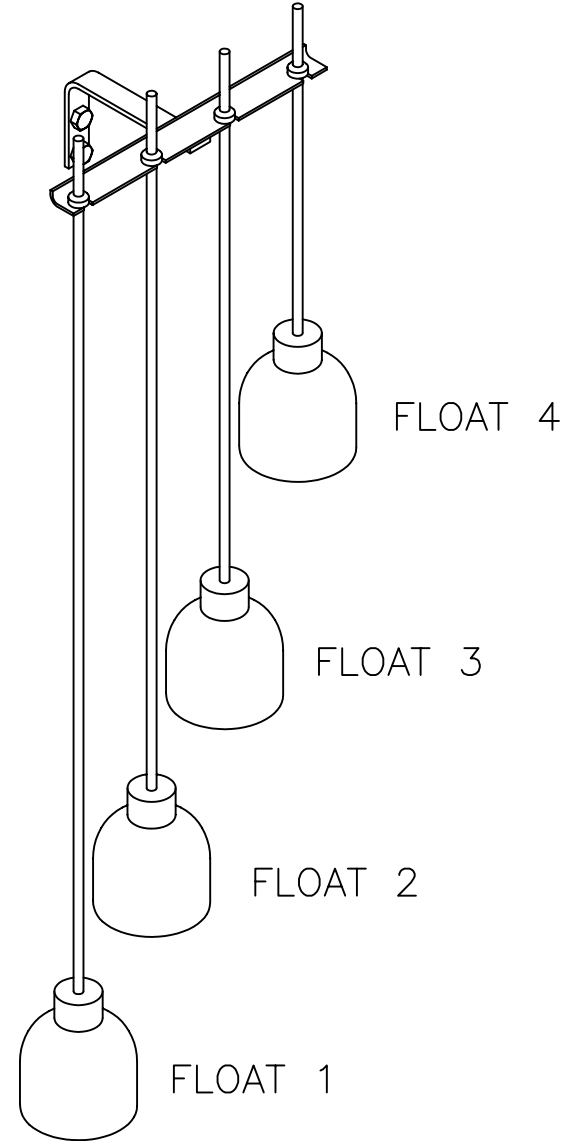
PAGE
2

FOR PUMP DOWN USE
 (NORMALLY OPEN FLOATS)
 FOR PUMP UP USE
 (NORMALLY CLOSED FLOATS)

FOR SPDT FLOATS
 GREEN - N/O
 WHITE - COMMON
 BLACK - N/C



TYPICAL MOUNTING



ALL INFORMATION CONTAINED IN THIS DRAWING IS
 CONFIDENTIAL AND PROPRIETARY TO CONERY MFG, INC.



CHANGES	TOLERANCES	DRAWN BY	DATE	SPECIFICATION SHEET INTERNALLY WEIGHTED	
F	DECIMALS	D. MIDDLETON	02/20/04	SCALE:	PART NO.
E	.xxx = ±.005	MATERIAL SPECIFICATION: NARROW ANGLE MERCURY FLOAT		NONE	2900 SERIES B4
D	.xx = ±.010				
C	FRACTIONAL				
B	x/x = ±.1/64				
A	ANGLES				
	x' = ±1/2'				