

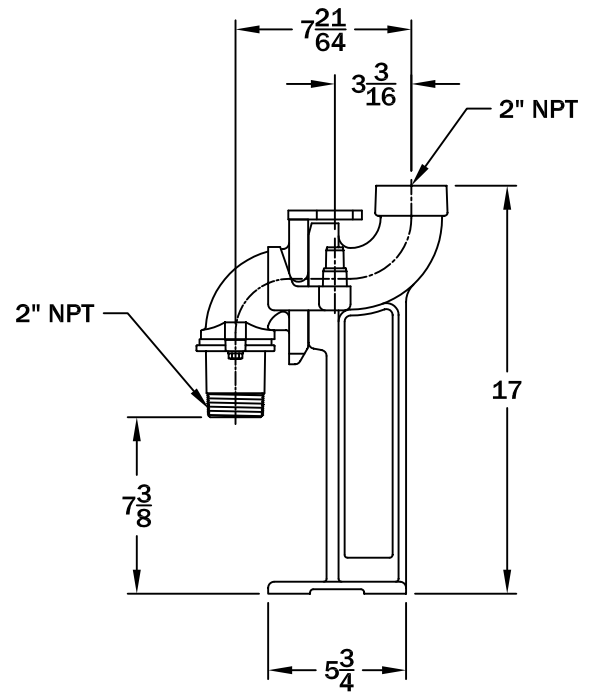
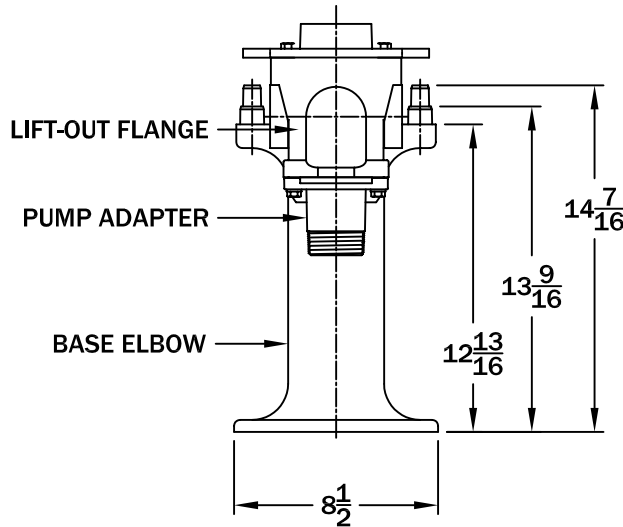
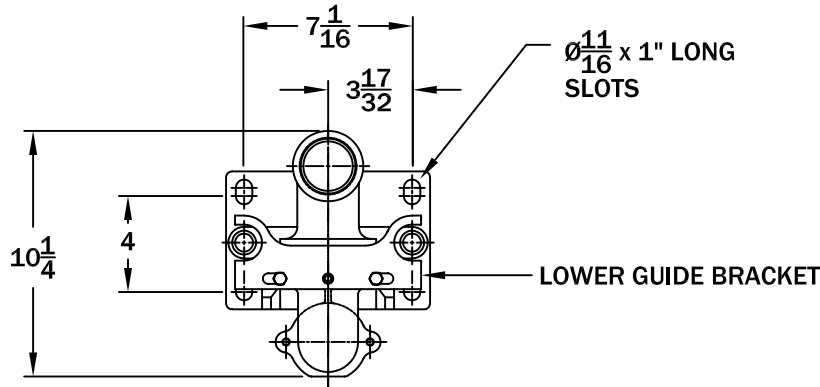
NOTE: ALL DIMENSIONS ARE IN INCHES.

MATERIALS OF CONSTRUCTION:

- PUMP ADAPTER: 304 SST
- BASE ELBOW: CAST DUCTILE IRON
- LIFT-OUT FLANGE: CAST BRASS
- LOWER GUIDE BRACKET: CAST BRASS
- ALL FASTENERS ARE 304 SERIES SST
- USABLE RAIL SIZES: $\frac{3}{4}$ " & 1"
- MAXIMUM WEIGHT ALLOWANCE: 200 lbs

BERS 200-EX

PAGE
1



ALL INFORMATION CONTAINED IN THIS DRAWING IS CONFIDENTIAL AND PROPRIETARY TO CONERY MFG, INC.



CHANGES	TOLERANCES	DRAWN BY	DATE
F	DECIMALS .xxx = ±.005 .xx = ±.010 FRACTIONAL x/x = ±.1/64 ANGLES x° = ±1/2°	D. MIDDLETON	03/05/04
E		MATERIAL SPECIFICATION: AS NOTED	
D			
C			
B			
A			

SPECIFICATION SHEET
DIMENSIONAL DATA

SCALE: 1/8 PART NO. 2" LIFT OUT DIM