

NOTE: ALL DIMENSIONS ARE IN INCHES.

MATERIALS OF CONSTRUCTION:

BASE ELBOW: CAST DUCTILE IRON

LIFT-OUT FLANGE: CAST DUCTILE IRON

LOWER GUIDE BRACKET: 304 SST

ALL FASTENERS ARE 304 SERIES SST

USEABLE GUIDE RAIL SIZES: $\frac{3}{4}$ " , 1" , $1\frac{1}{4}$ "

SPHERICAL SOLIDS SIZE: 3" Diameter.

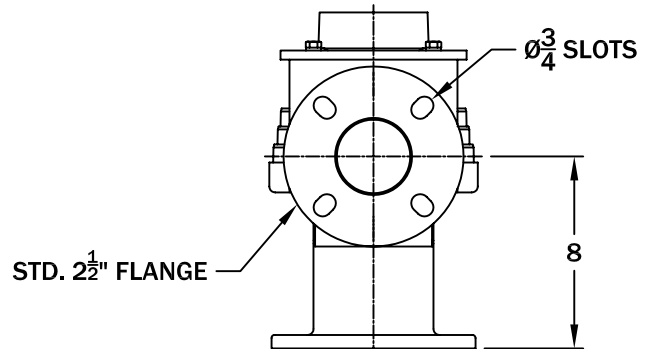
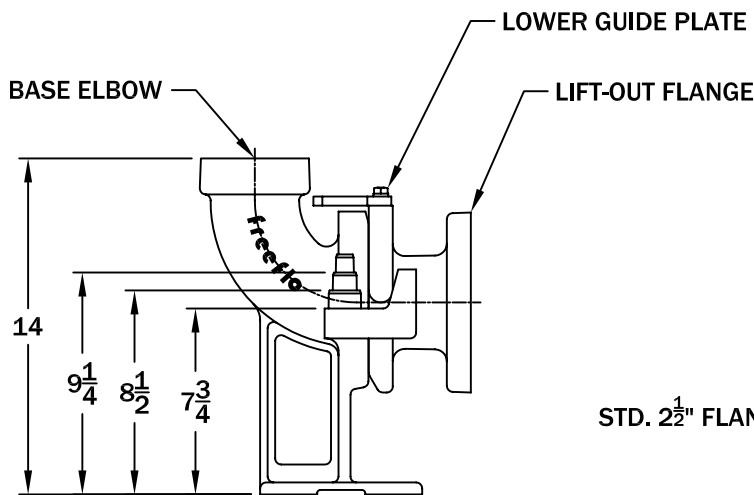
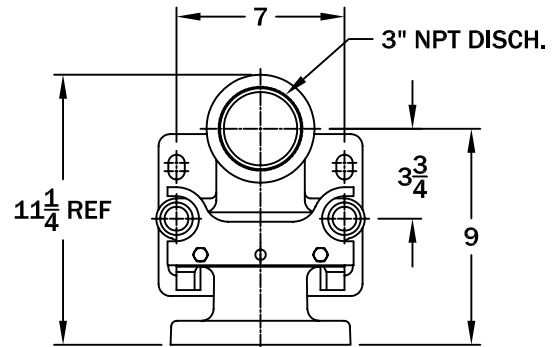
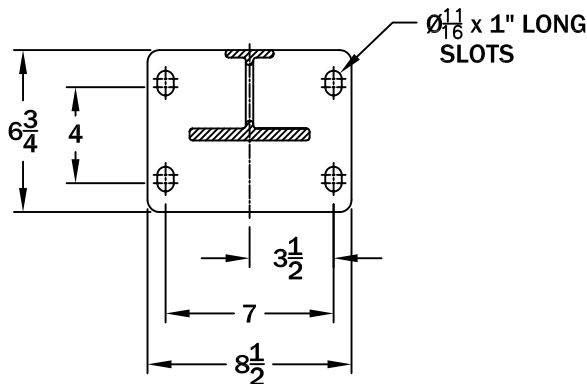
MAXIMUM WEIGHT ALLOWANCE: 400lbs.

BERS-0325H

PAGE

1

MOUNTING DIMENSIONS



STD. $\frac{1}{2}$ " FLANGE

ALL INFORMATION CONTAINED IN THIS DRAWING IS CONFIDENTIAL AND PROPRIETARY TO CONERY MFG, INC.



CHANGES	TOLERANCES	DRAWN BY	DATE
F	DECIMALS .XXX = ± 0.005 .XX = ± 0.010 FRACTIONAL X/X = $\pm 1/64$ ANGLES X' = $\pm 1/2'$	D. MIDDLETON	07/15/04
E		MATERIAL SPECIFICATION: AS NOTED	
D			
C			
B			
A			

SPECIFICATION SHEET
DIMENSIONAL DATA

SCALE:	PART NO.
1/8	3" LIFT OUT DIM