

NOTE: ALL DIMENSIONS ARE IN INCHES.

MATERIALS OF CONSTRUCTION:

BASE ELBOW: CAST DUCTILE IRON

LIFT-OUT FLANGE: CAST DUCTILE IRON

W/SST SEALING RING

LOWER GUIDE BRACKET: CAST DUCTILE IRON

ALL FASTENERS ARE 304 SERIES SST

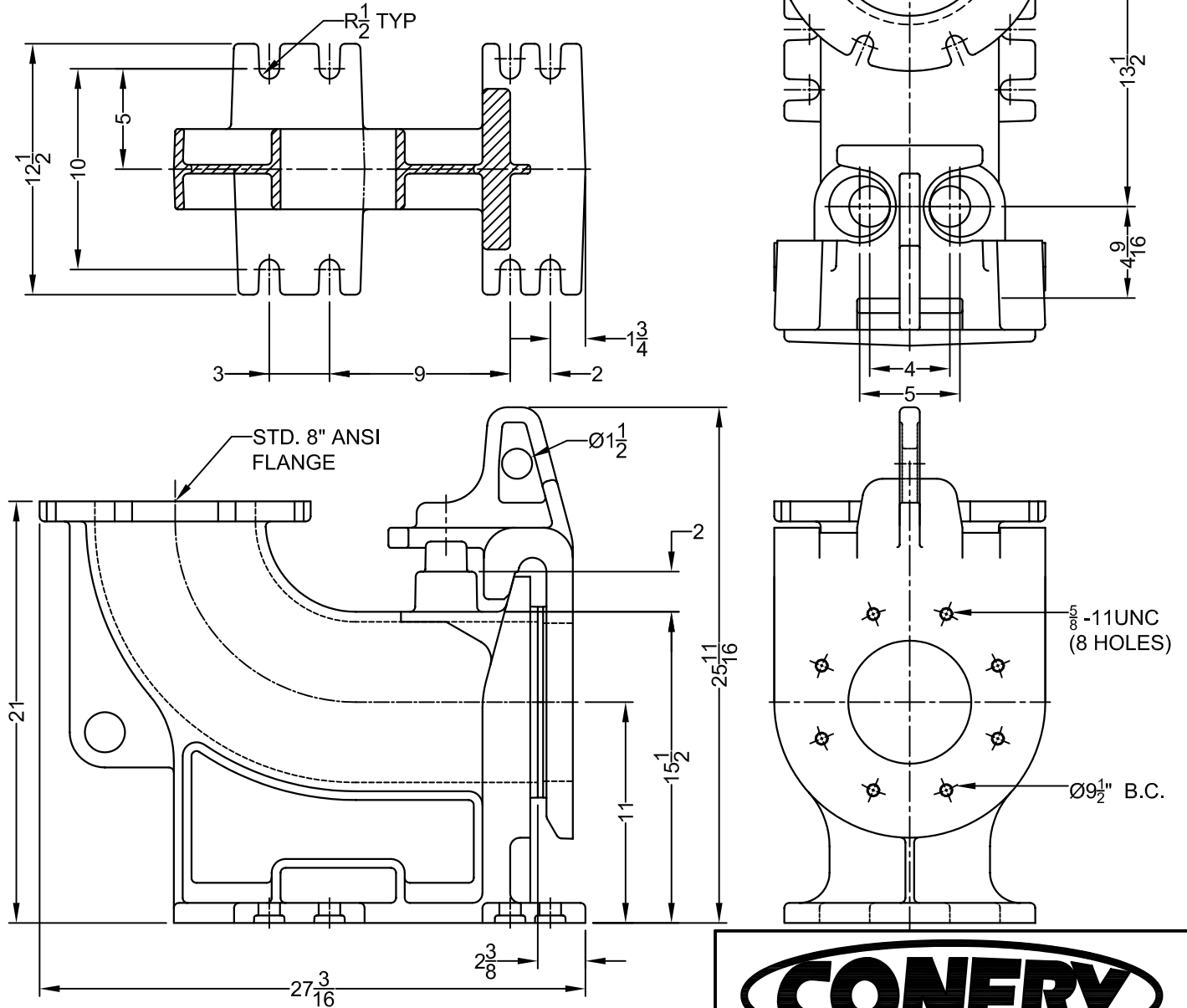
USEABLE GUIDE RAIL SIZES: 2" & 3"

SPHERICAL SOLIDS SIZE: 6-1/8" Diameter.

MAXIMUM WEIGHT ALLOWANCE: 4000lbs.

BERS-0860

PAGE  
1



ALL INFORMATION CONTAINED IN THIS DRAWING IS CONFIDENTIAL AND PROPRIETARY TO CONERY MFG, INC.



CHANGES	TOLERANCES	DRAWN BY	DATE
F	DECIMALS .xxx = ±.005 .xx = ±.010 FRACTIONAL x/x = ±.1/64 ANGLES x' = ±1/2°	D. MIDDLETON	10/03/09
E		MATERIAL SPECIFICATION:  AS NOTED	
D			
C			
B			
A			

SPECIFICATION SHEET  
DIMENSIONAL DATA

SCALE: 1/8 PART NO. 8" LIFT-OUT DIM.