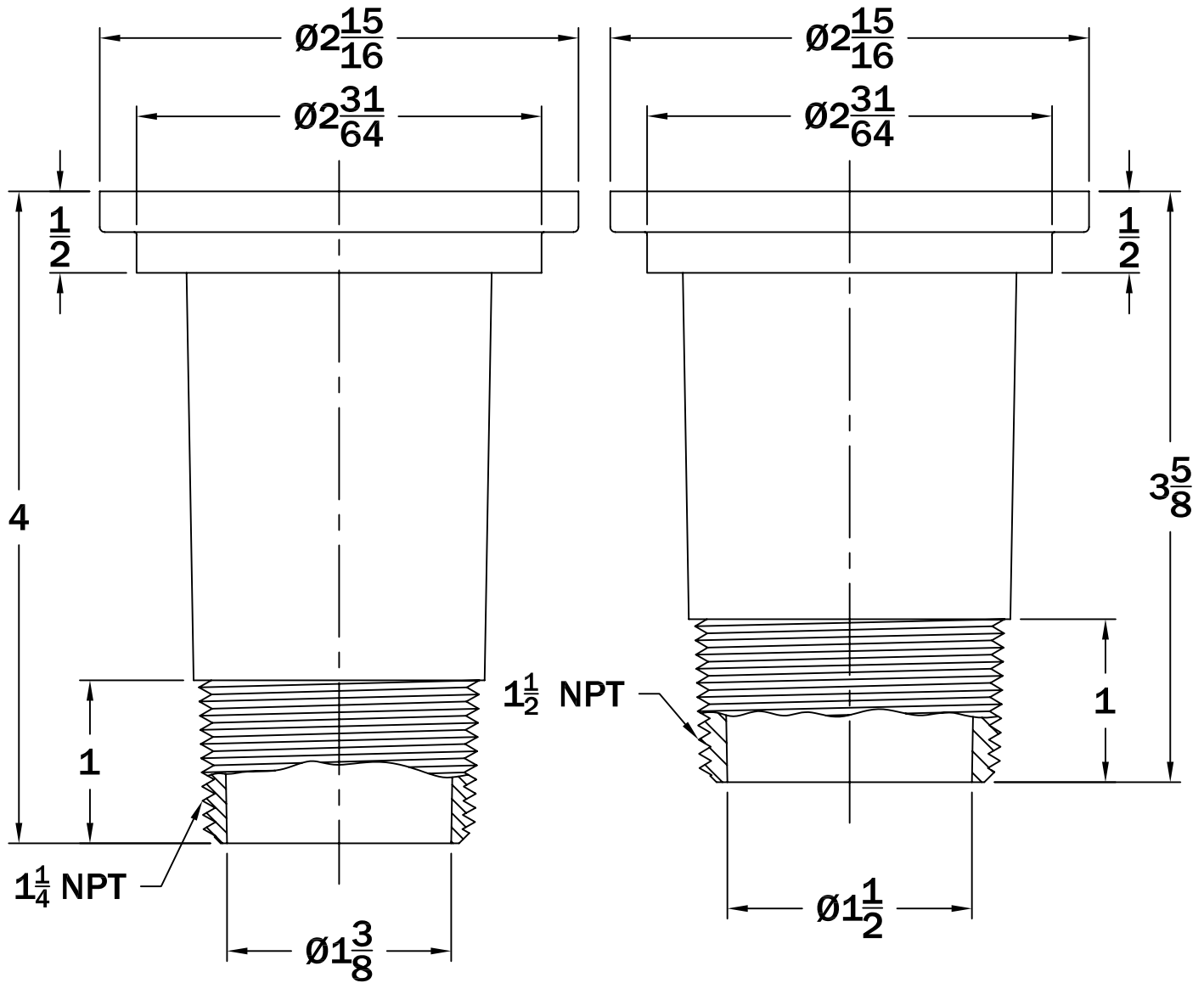


PAF-0125

PAF-0150



ALL INFORMATION CONTAINED IN THIS DRAWING IS
CONFIDENTIAL AND PROPRIETARY TO CONERY MFG, INC.

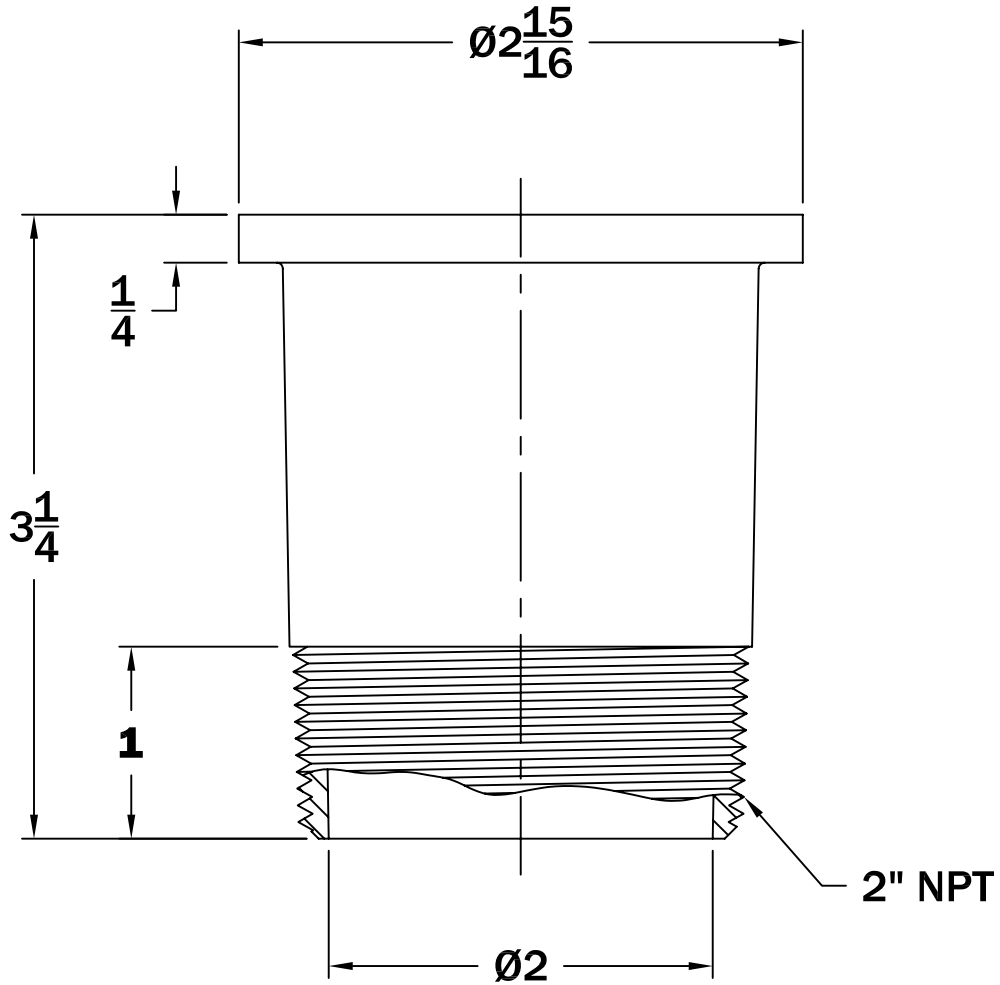


CHANGES	TOLERANCES	DRAWN BY	DATE
F	DECIMALS .XXX = ±.005 .XX = ±.010 FRACTIONAL X/X = ±.1/64 ANGLES X' = ±1/2°	D. MIDDLETON	03/22/04
E		MATERIAL SPECIFICATION: AS NOTED	
D			
C			
B			
A			

SPECIFICATION SHEET
DIMENSIONAL DATA

SCALE:	PART NO.
FULL	PUMP ADAPTERS

PAF-0200

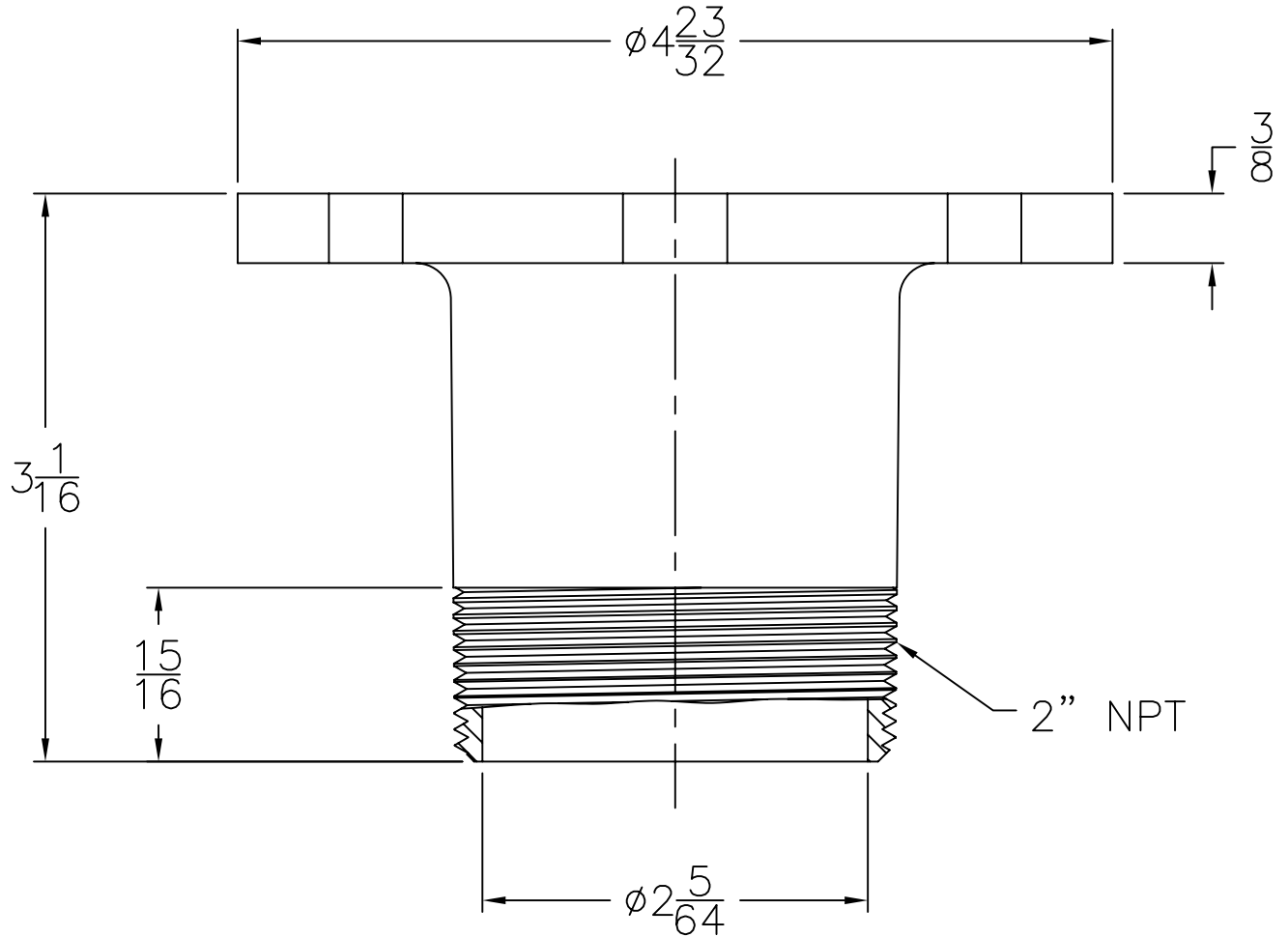


ALL INFORMATION CONTAINED IN THIS DRAWING IS
CONFIDENTIAL AND PROPRIETARY TO CONERY MFG, INC.



CHANGES	TOLERANCES	DRAWN BY	DATE	SPECIFICATION SHEET DIMENSIONAL DATA	
F	DECIMALS .XXX = ±.005 .XX = ±.010 FRACTIONAL X/X = ±.1/64 ANGLES X° = ±1/2°	D. MIDDLETON	03/22/04		
E		MATERIAL SPECIFICATION: AS NOTED		FULL	PUMP ADAPTERS
D					
C					
B					
A					

PAF-0320



ALL INFORMATION CONTAINED IN THIS DRAWING IS CONFIDENTIAL AND PROPRIETARY TO CONERY MFG, INC.

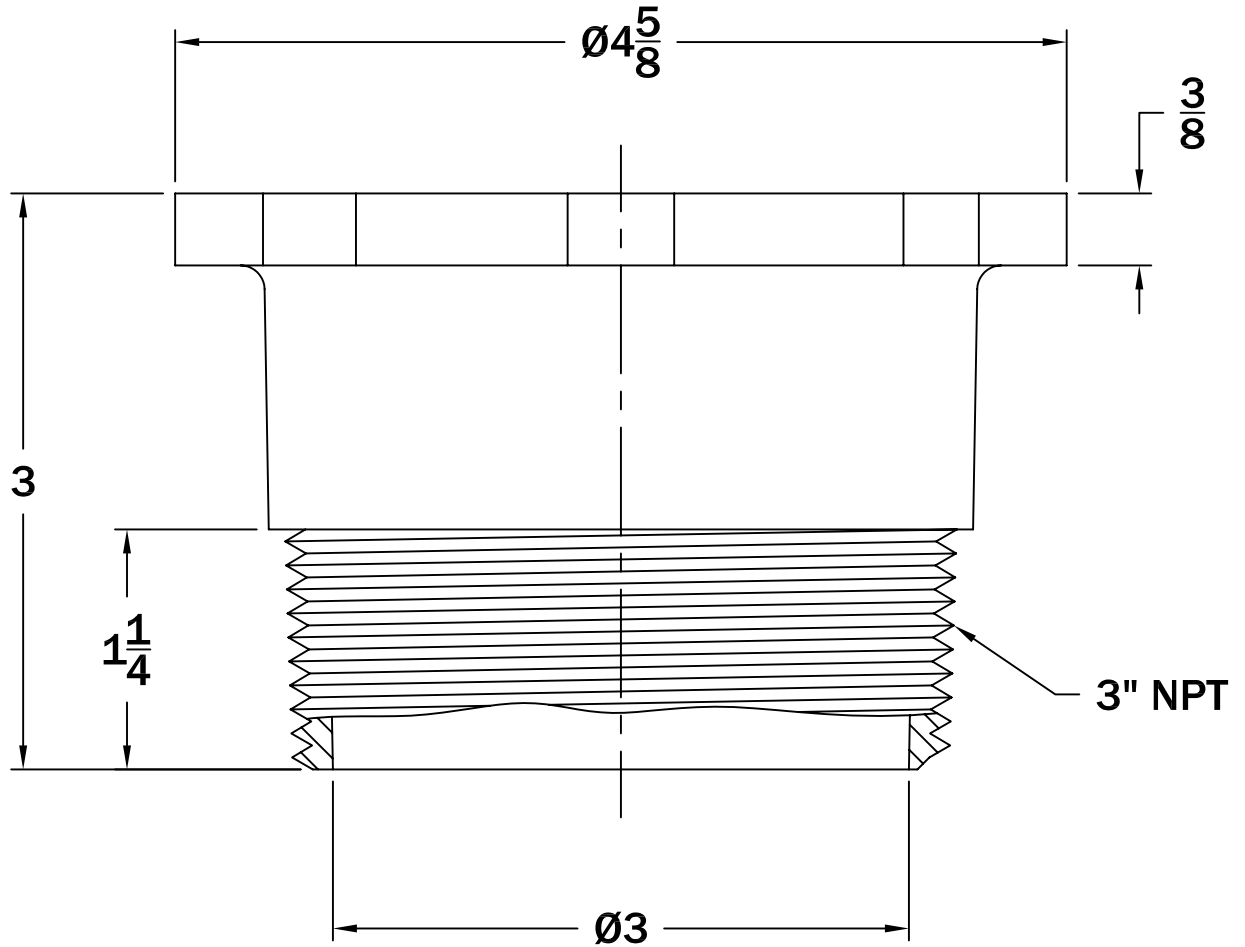


CHANGES	TOLERANCES	DRAWN BY	DATE
F	DECIMALS .XXX = ±.005 .XX = ±.010 FRACTIONAL X/X = ±.1/64 ANGLES X' = ±1/2'	D. MIDDLETON	03/22/04
E		MATERIAL SPECIFICATION: AS NOTED	
D			
C			
B			
A			

SPECIFICATION SHEET
DIMENSIONAL DATA

SCALE:	PART NO.
FULL	PUMP ADAPTERS

PAF-0300



ALL INFORMATION CONTAINED IN THIS DRAWING IS
CONFIDENTIAL AND PROPRIETARY TO CONERY MFG, INC.

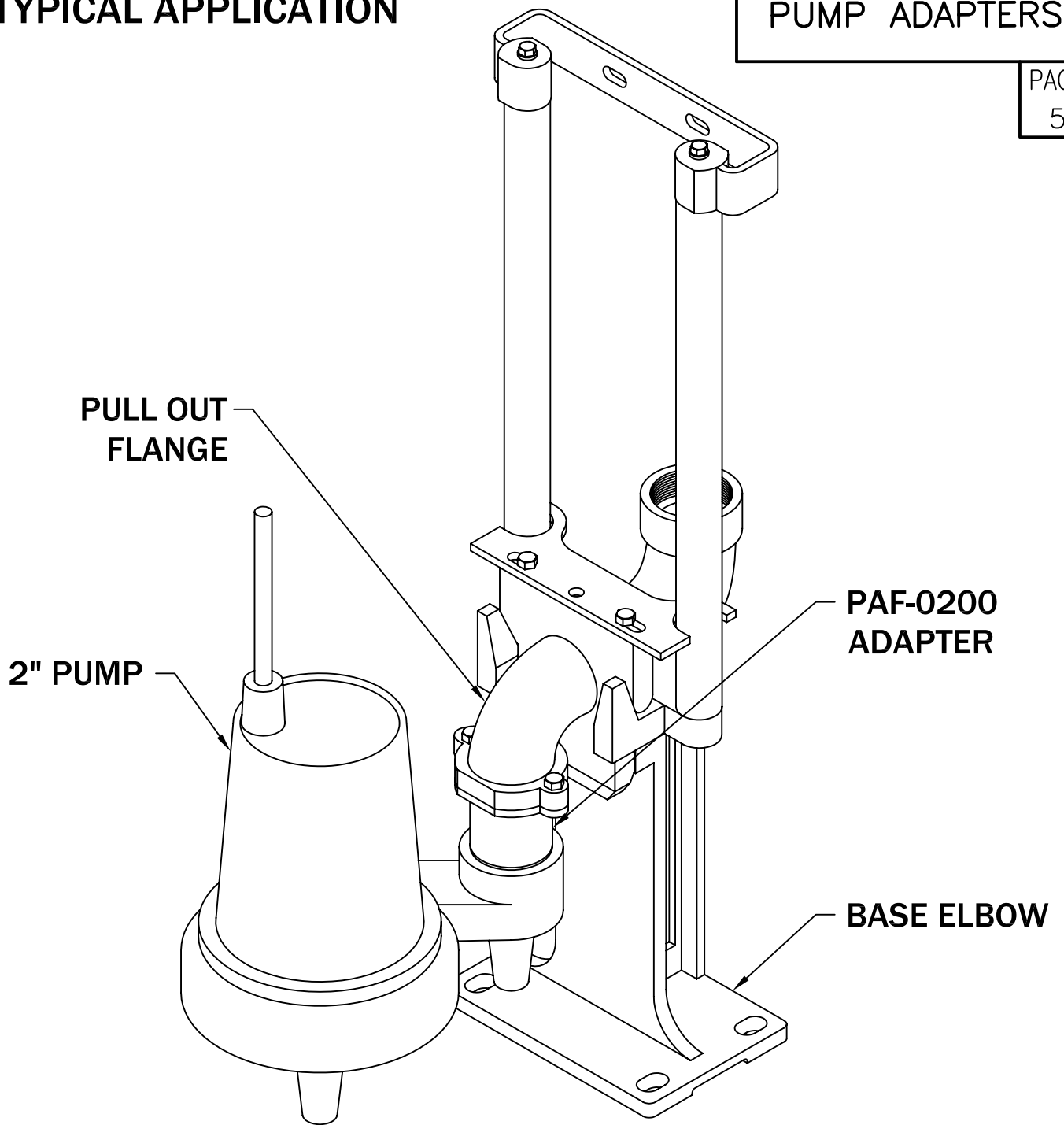


CHANGES	TOLERANCES	DRAWN BY	DATE	SPECIFICATION SHEET DIMENSIONAL DATA	
F	DECIMALS .xxx = ±.005 .xx = ±.010 FRACTIONAL x/x = ±.1/64 ANGLES x' = ±1/2'	D. MIDDLETON	03/22/04	SCALE:	PART NO.
E		MATERIAL SPECIFICATION: AS NOTED		FULL	PUMP ADAPTERS
D					
C					
B					
A					

TYPICAL APPLICATION

PUMP ADAPTERS

PAGE
5



ALL INFORMATION CONTAINED IN THIS DRAWING IS
CONFIDENTIAL AND PROPRIETARY TO CONERY MFG, INC.



CHANGES	TOLERANCES	DRAWN BY	DATE
F	DECIMALS	D. MIDDLETON	03/22/04
E	.XXX = ±.005	MATERIAL SPECIFICATION: AS NOTED	
D	.XX = ±.010		
C	FRACTIONAL		
B	X/X = ±.1/64		
A	ANGLES X° = ±1/2°		

SPECIFICATION SHEET DIMENSIONAL DATA	
SCALE:	PART NO.
NONE	PUMP ADAPTERS