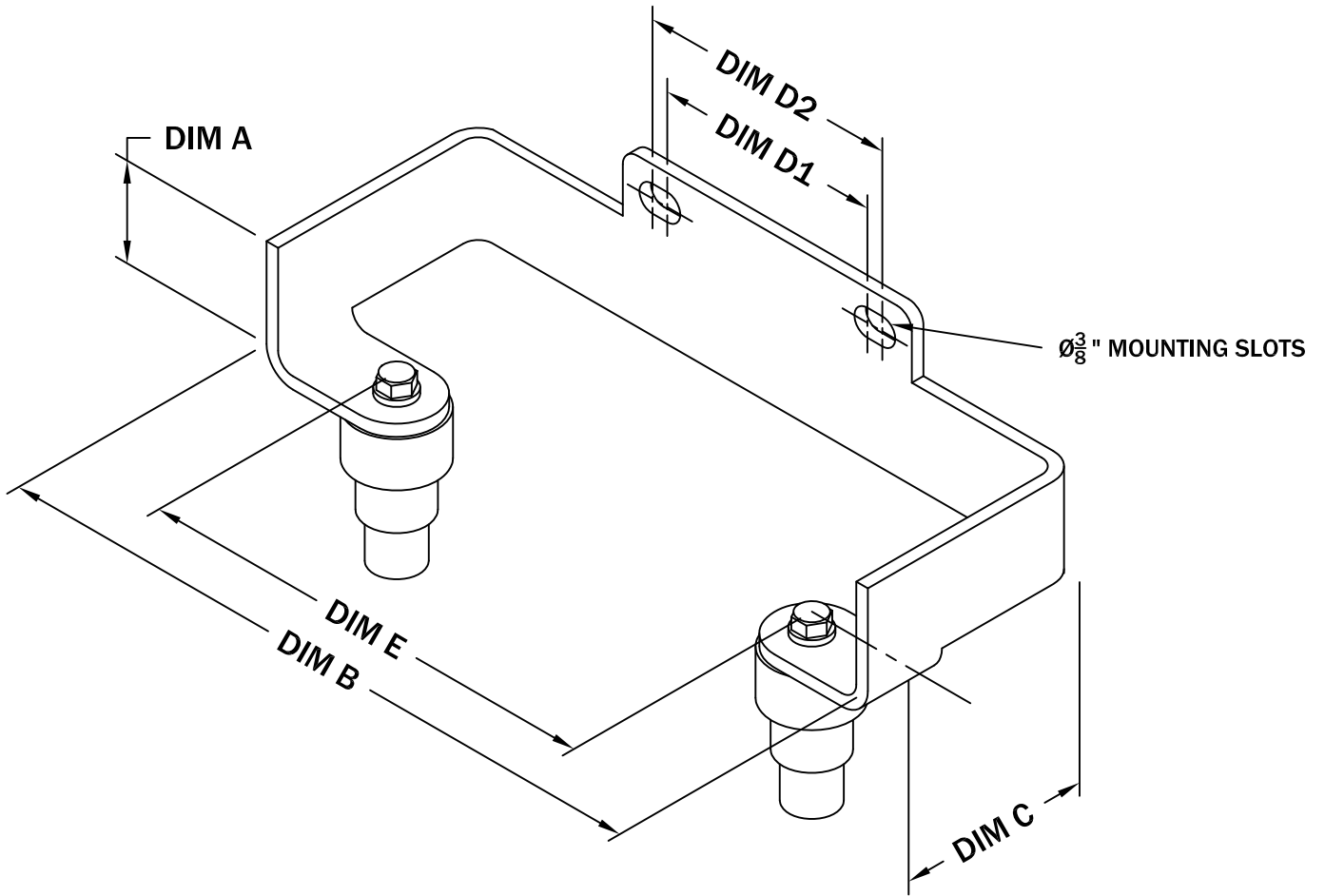


NOTE: BRACKET CAN BE USED FOR $\frac{3}{4}$ " OR 1" GUIDE RAILS.

GUIDE BRACKET



MODEL NO.	DIA. "A"	DIM "B"	DIM "C"	DIM "D1 + D2"	DIM "E"
UGB-PC	3 3/4"	10 1/8"	2 11/16"	3 3/8"-3 7/8"	7"

ALL INFORMATION CONTAINED IN THIS DRAWING IS CONFIDENTIAL AND PROPRIETARY TO CONERY MFG, INC.



CHANGES	TOLERANCES	DRAWN BY	DATE	SPECIFICATION SHEET DIMENSIONAL DATA	
F	DECIMALS .XXX = ±.005 .XX = ±.010 FRACTIONAL X/X = ±.1/64 ANGLES X° = ±1/2°	D. MIDDLETON	03/22/04	SCALE:	PART NO.
E				MATERIAL SPECIFICATION: POWDER COATED STEEL	NONE
D					
C					
B					
A					