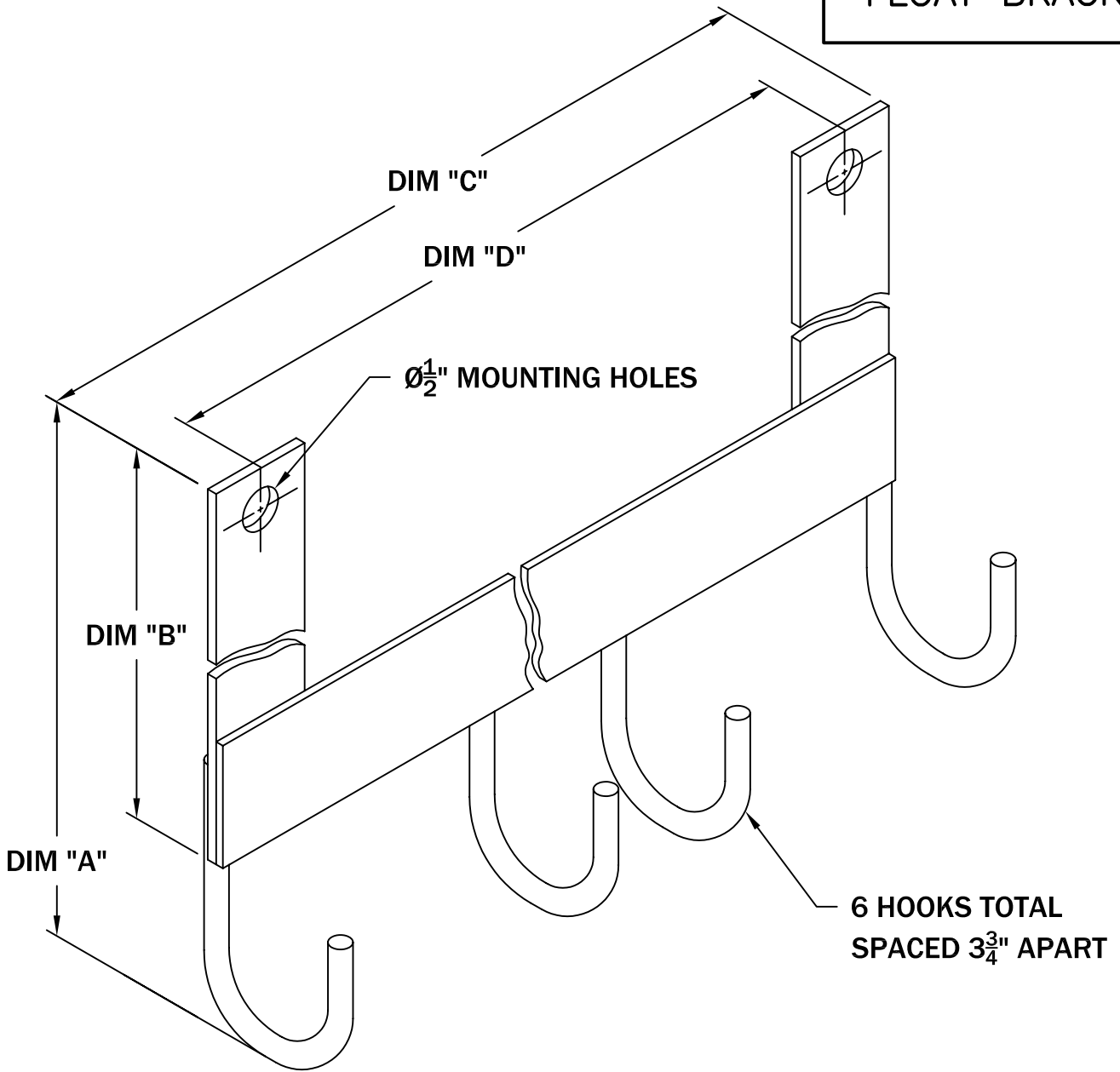


6AHB MODEL

FLOAT BRACKET

PAGE
1



MODEL NO.	DIA. "A"	DIM "B"	DIM "C"	DIM "D"	HOOK SPACING
6AHB	9"	7"	19 1/4"	18"	3 3/4"

ALL INFORMATION CONTAINED IN THIS DRAWING IS CONFIDENTIAL AND PROPRIETARY TO CONERY MFG, INC.



CHANGES	TOLERANCES	DRAWN BY	DATE	SPECIFICATION SHEET DIMENSIONAL DATA	
F	DECIMALS .XXX = ±.005 .XX = ±.010 FRACTIONAL X/X = ±.1/64 ANGLES X° = ±1/2°	D. MIDDLETON	03/22/04	SCALE:	PART NO.
E		MATERIAL SPECIFICATION: 300 SERIES SST		HALF	6AHB
D					
C					
B					
A					