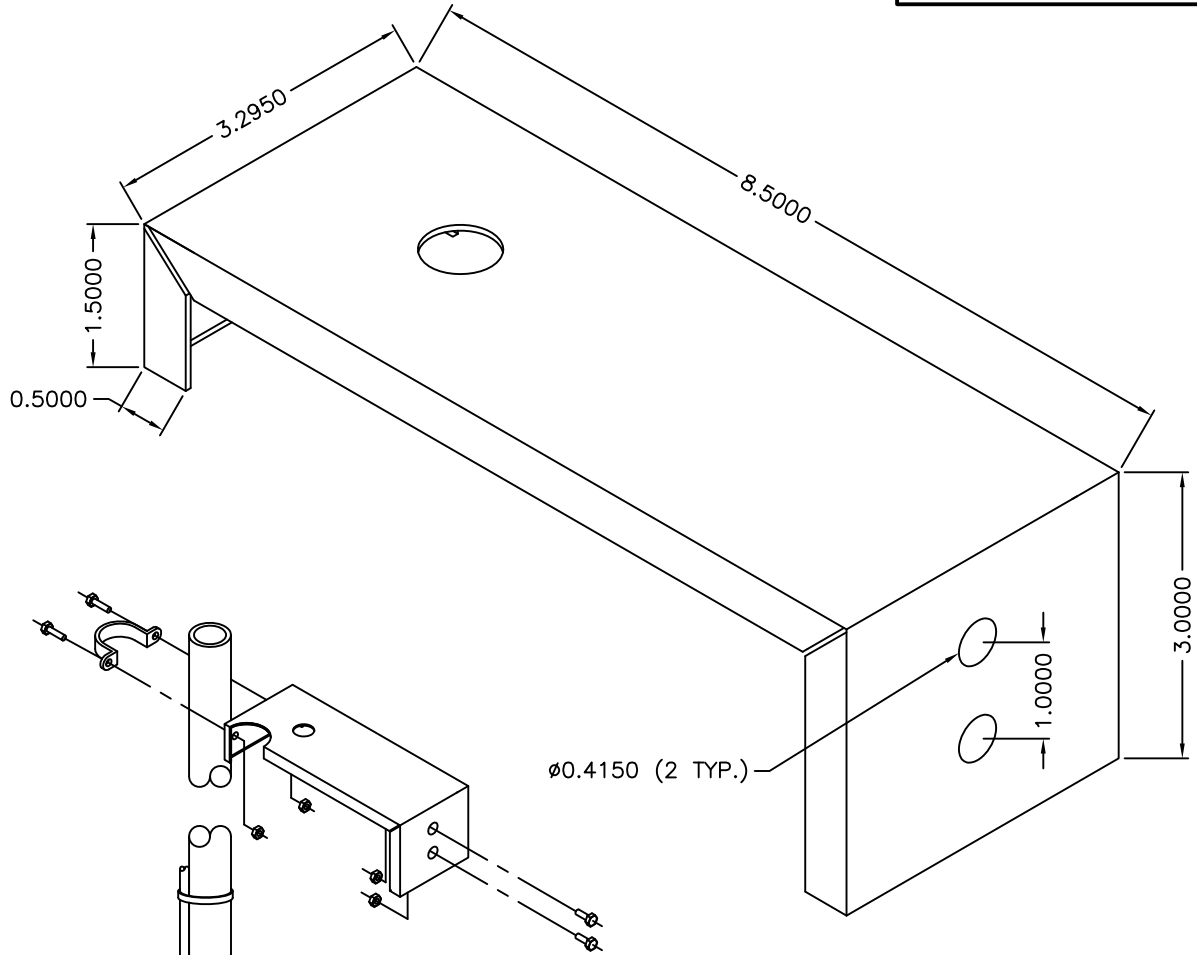


FLOAT BRACKET



NOTE: WALL MOUNTING HARDWARE NOT INCLUDED. FOR ILLUSTRATION PURPOSES ONLY.

ALL INFORMATION CONTAINED IN THIS DRAWING IS CONFIDENTIAL AND PROPRIETARY TO CONERY MANUFACTURING, INC.



CHANGES	TOLERANCES	DRAWN BY	DATE	FLOAT BRACKET	
F	DECIMALS .XXX = ±.005 .XX = ±.010 FRACTIONAL X/X = ±.1/64 ANGLES X° = ±1/2°	C. BARRICK	9/16/09	SCALE:	PART NO.
E		MATERIAL SPECIFICATION: 0.061" THK 304 STAINLESS STEEL		NONE	WMB-0100
D					
C					
B					
A					