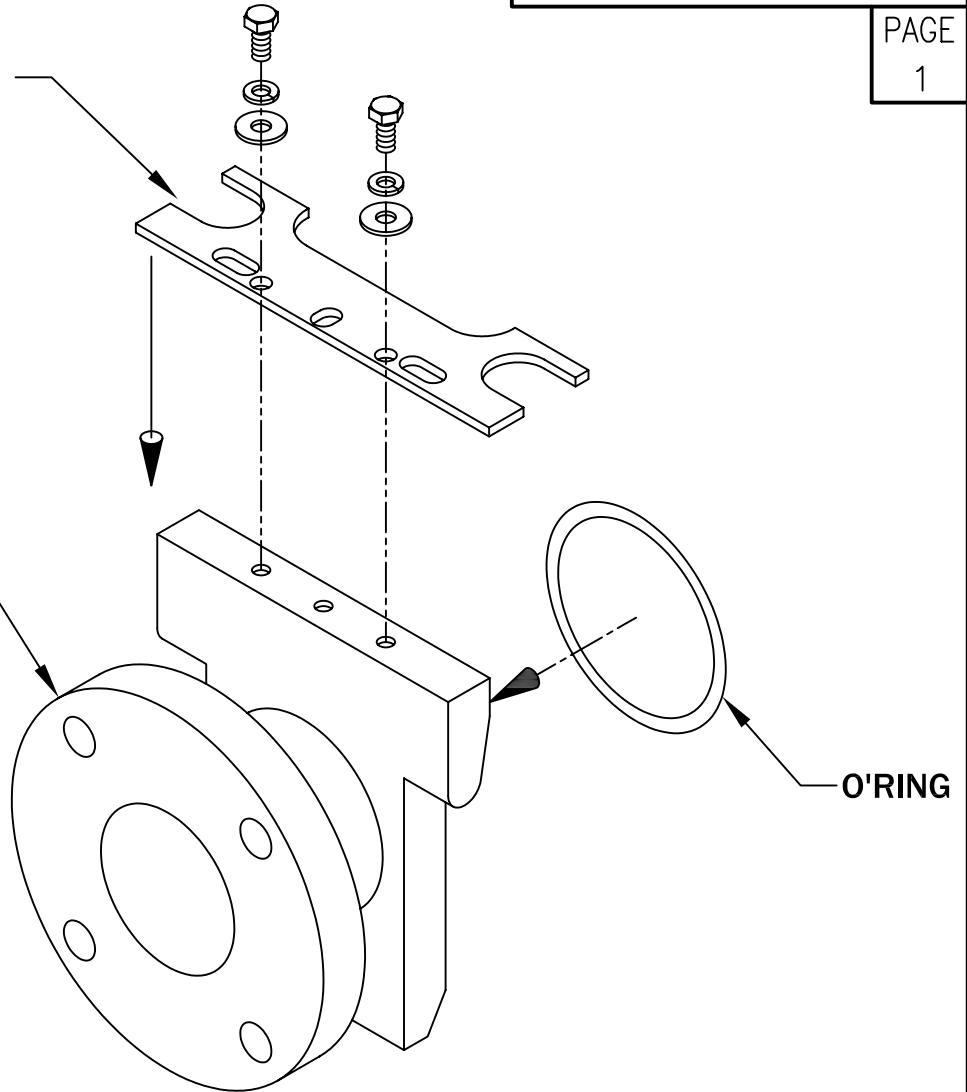


LGB-EZRP FLANGE
200 OR 300 SERIES SST

EZR-POF-0300H FLANGE
65-45-12 DUCTILE IRON
FITS STANDARD
3" ANSI FLANGES.
USABLE WITH 3/4" GUIDE RAILS.



SUPPLIED WITH BUNA-N O-RING SEAL

NOTE: ALL FASTENERS ARE
300 SERIES SST



ALL INFORMATION CONTAINED IN THIS DRAWING IS
CONFIDENTIAL AND PROPRIETARY TO CONERY MFG, INC.

CHANGES	TOLERANCES	DRAWN BY	DATE	SPECIFICATION SHEET DIMENSIONAL DATA	
F	DECIMALS	D. MIDDLETON	01/14/11	SCALE:	PART NO.
E	.XXX = ±.005	MATERIAL SPECIFICATION: AS NOTED		1/4	PULL-OUT FLANGE
D	.XX = ±.010				
C	FRACTIONAL				
B	X/X = ±.1/64				
A	ANGLES X° = ±1/2°				