

NOTE: ALL DIMENSIONS ARE IN INCHES.

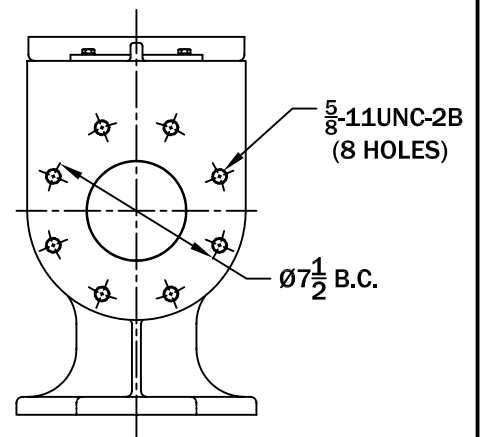
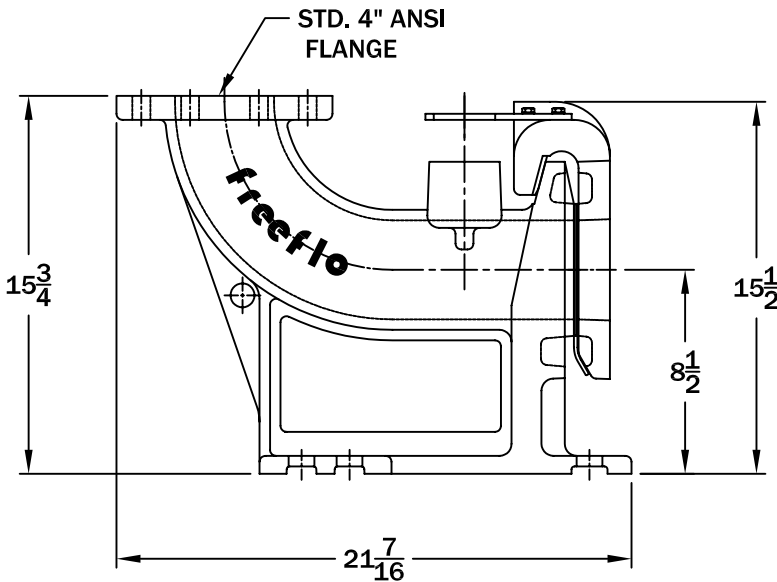
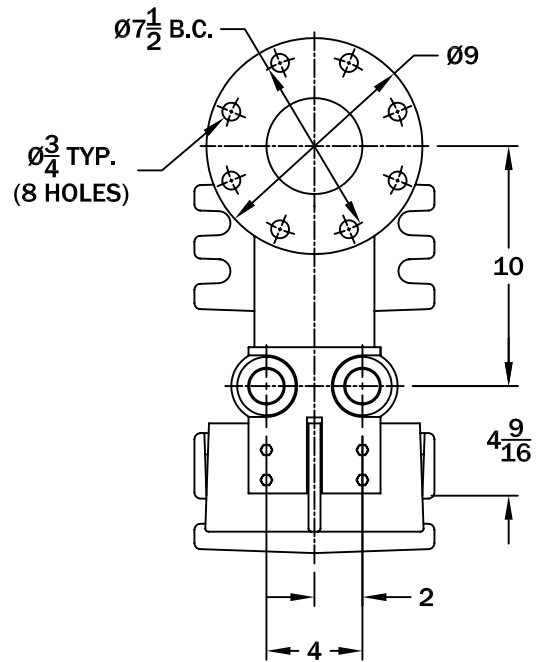
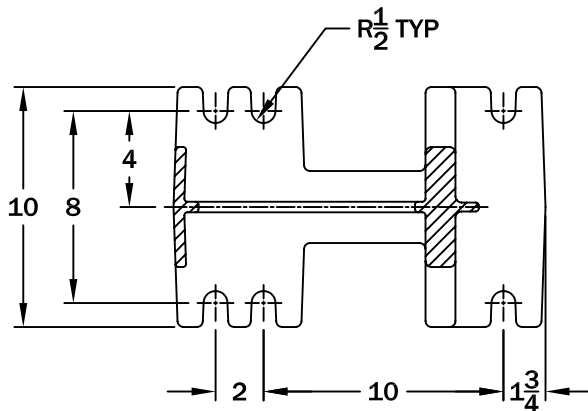
MATERIALS OF CONSTRUCTION:

- BASE ELBOW: CAST DUCTILE IRON
- LIFT-OUT FLANGE: CAST DUCTILE IRON
- W/BRONZE SEALING RING
- LOWER GUIDE BRACKET: BRONZE
- ALL FASTENERS ARE 304 SERIES SST
- USEABLE GUIDE RAIL SIZES: 1½" & 2"
- SPHERICAL SOLIDS SIZE: 4" Diameter.
- MAXIMUM WEIGHT ALLOWANCE: 2000lbs.

BERS-0400HEX

PAGE  
1

MOUNTING DIMENSIONS



ALL INFORMATION CONTAINED IN THIS DRAWING IS CONFIDENTIAL AND PROPRIETARY TO CONERY MFG, INC.



CHANGES	TOLERANCES	DRAWN BY	DATE
F	DECIMALS	D. MIDDLETON	07/15/04
E	.XXX = ±.005	MATERIAL SPECIFICATION:  AS NOTED	
D	.XX = ±.010		
C	FRACTIONAL		
B	X/X = ±.1/64		
A	ANGLES		
	X' = ±1/2'		

SPECIFICATION SHEET  
DIMENSIONAL DATA

SCALE: 1/8 PART NO. 4" LIFT OUT DIM