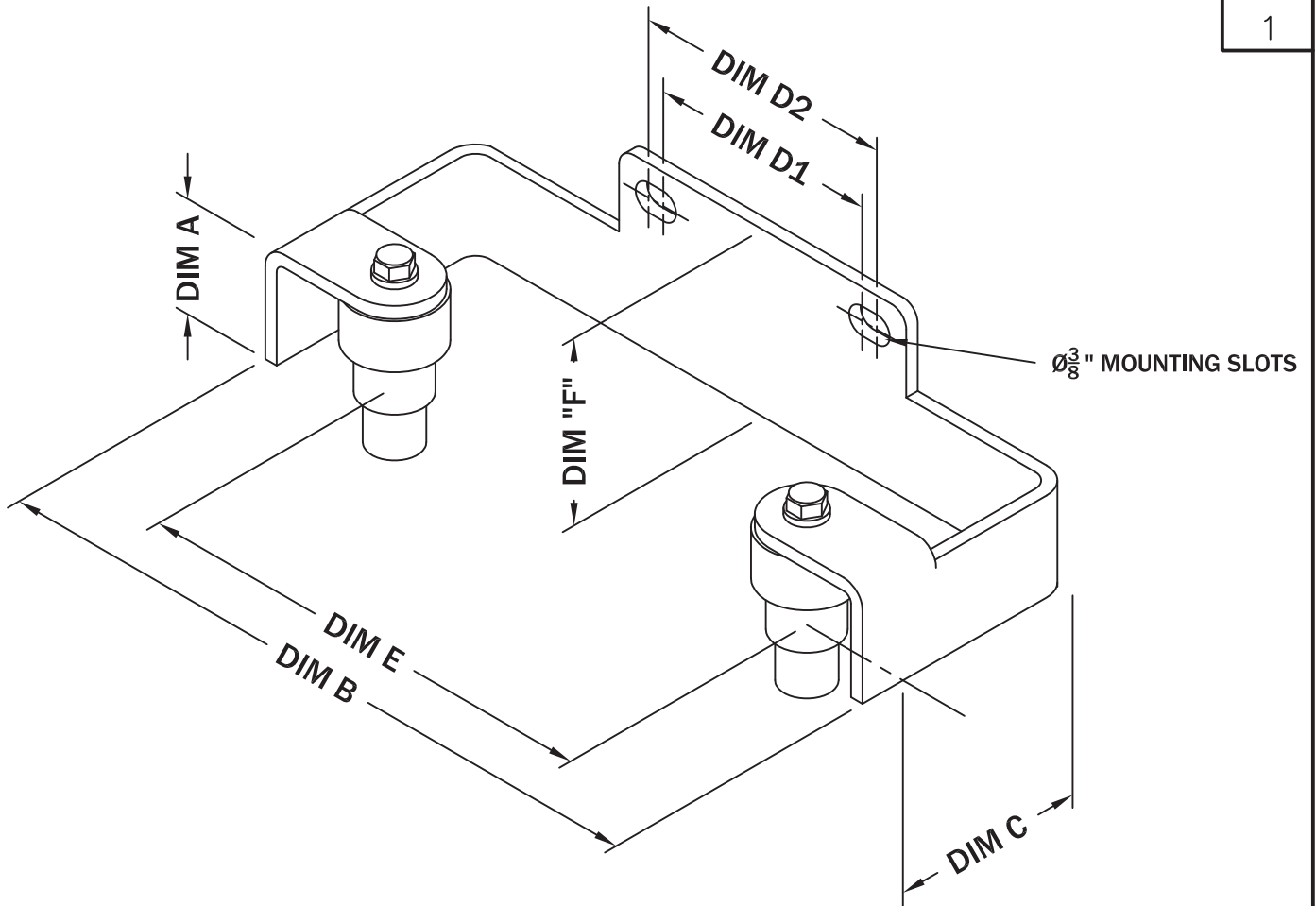


NOTE: BRACKET CAN BE USED FOR $\frac{3}{4}$ " , 1" , $1\frac{1}{4}$ " GUIDE RAILS.

GUIDE BRACKET

PAGE
1



| MODEL NO. | DIA. "A" | DIM "B" | DIM "C" | DIM "D1 + D2" | DIM "E" | DIM "F" |
|-----------|----------|---------|----------|---------------|---------|---------|
| UGB-STNLS | 1 3/4" | 10 1/8" | 2 11/16" | 2 7/8"-3 7/8" | 7" | 2 3/4" |

ALL INFORMATION CONTAINED IN THIS DRAWING IS CONFIDENTIAL AND PROPRIETARY TO CONERY MFG, INC.



| CHANGES | TOLERANCES | DRAWN BY | DATE | SPECIFICATION SHEET DIMENSIONAL DATA | |
|---------|---|--------------|----------|---|----------|
| F | DECIMALS .XXX = ±.005 .XX = ±.010 FRACTIONAL X/X = ±.1/64 ANGLES X' = ±1/2' | D. MIDDLETON | 03/22/04 | SCALE: | PART NO. |
| E | | | | MATERIAL SPECIFICATION: 300 SERIES SST | NONE |
| D | | | | | |
| C | | | | | |
| B | | | | | |
| A | | | | | |