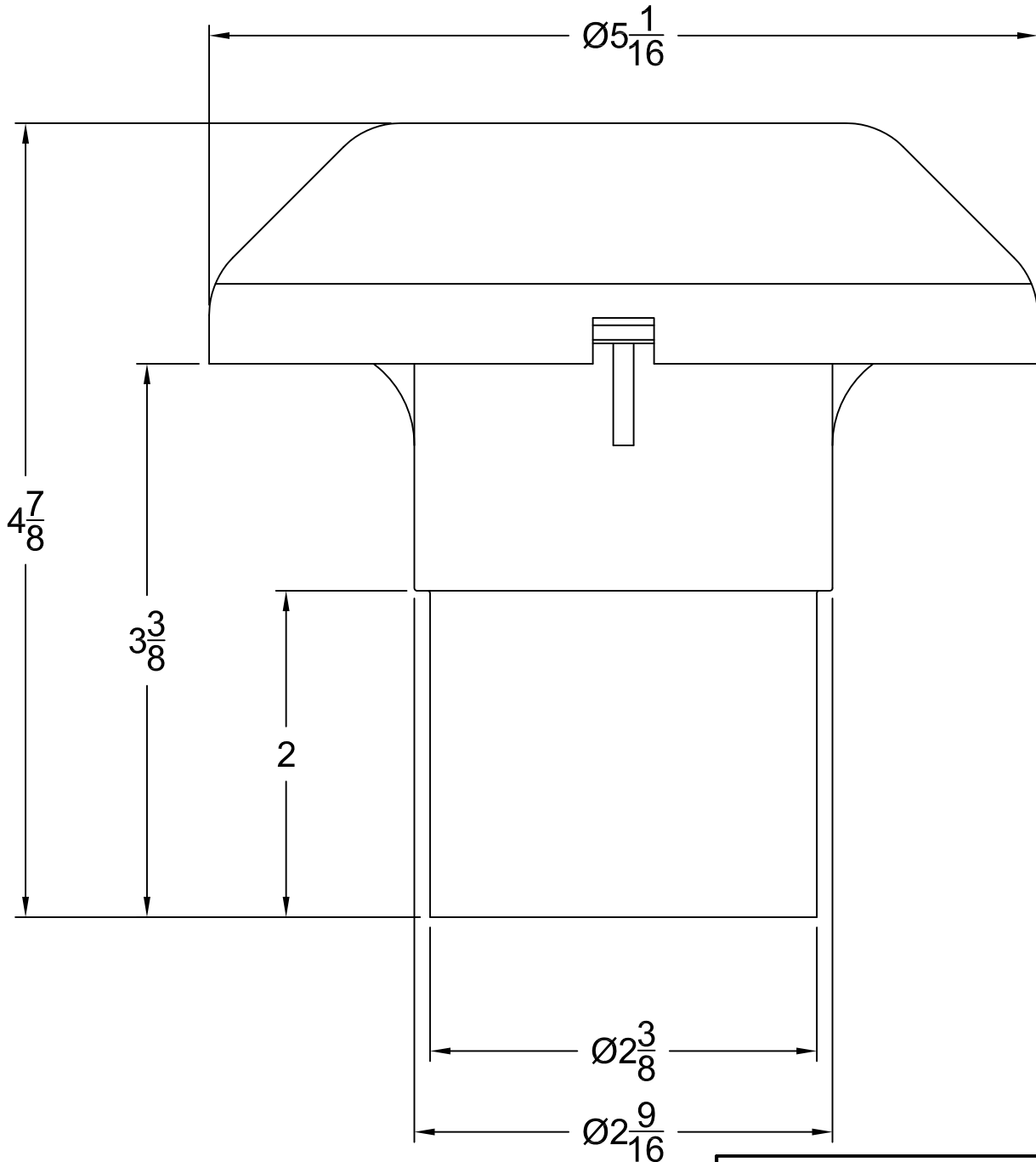


CTV-2 VENT

PAGE
1



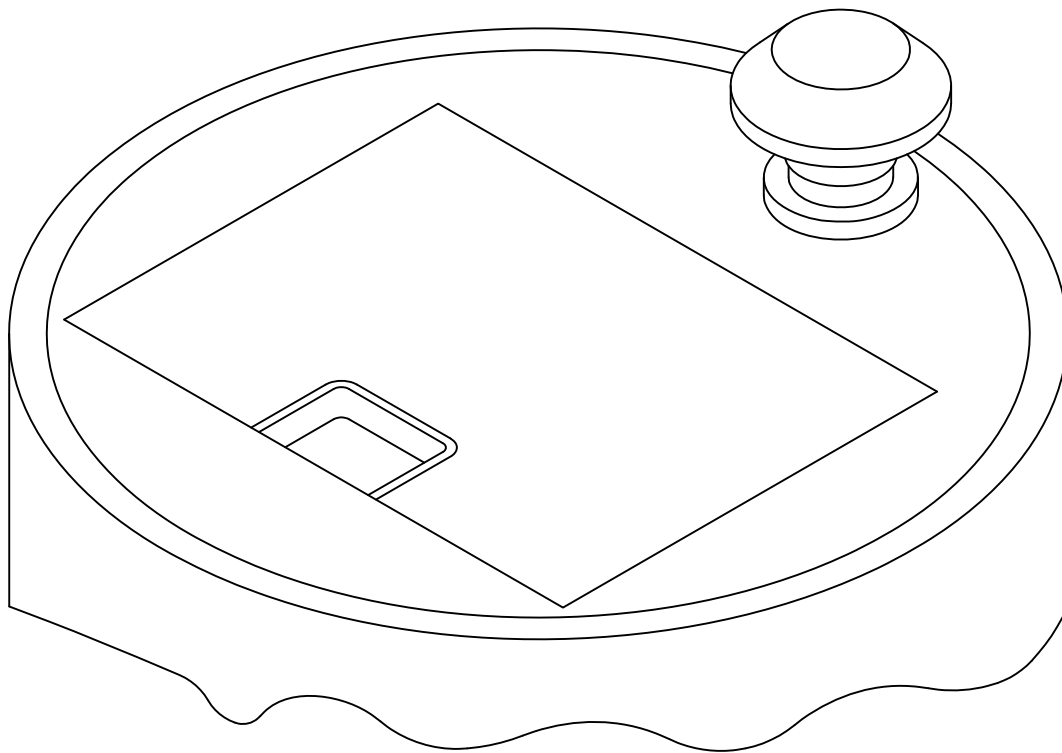
ALL INFORMATION CONTAINED IN THIS DRAWING IS CONFIDENTIAL AND PROPRIETARY TO CONERY MFG, INC.



CHANGES	TOLERANCES	DRAWN BY	DATE	SPECIFICATION SHEET DIMENSIONAL DATA	
F	DECIMALS .XXX = ±.005 .XX = ±.010 FRACTIONAL X/X = ±.1/64 ANGLES X° = ±1/2°	D. MIDDLETON	07/19/14	SCALE:	PART NO.
E		MATERIAL SPECIFICATION: AS NOTED		FULL	CTV2-2 VENT
D					
C					
B					
A					

FEATURES:

- CORROSION RESISTANT ABS CONSTRUCTION.**
- INTEGRATED SCREEN TO HELP PREVENT INSECTS FROM ENTERING THE BASIN.**
- EXCELLENT FOR VENTING SEWER GASES AND PROVIDING VACUUM RELIEF.**
- OPTIONAL ACTIVATED CARBON FILTER ELIMINATES ODORS.**
- SNAP OFF TOP FOR EASY MEDIA REPLACEMENT.**



TYPICAL MOUNTING

ALL INFORMATION CONTAINED IN THIS DRAWING IS CONFIDENTIAL AND PROPRIETARY TO CONERY MFG, INC.



CHANGES		TOLERANCES		DRAWN BY		DATE		SPECIFICATION SHEET DIMENSIONAL DATA	
F		DECIMALS .XXX = ±.005		D. MIDDLETON		07/19/14			
E		.XX = ±.010		MATERIAL SPECIFICATION: AS NOTED		SCALE:		PART NO.	
D		FRACTIONAL				NONE		CTV-2 VENT	
C		X/X = ±.1/64							
B		ANGLES							
A		X' = ±1/2'							