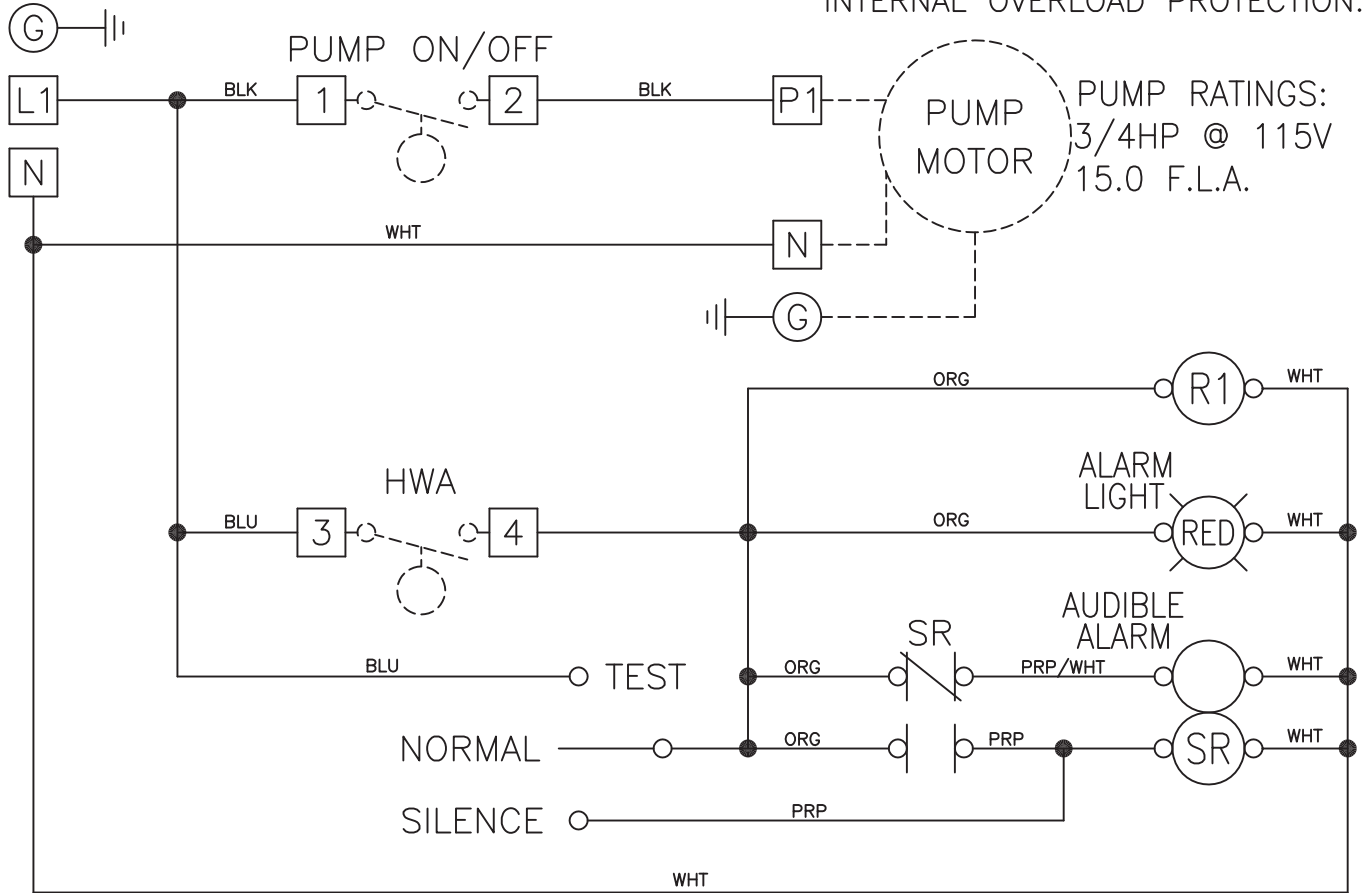


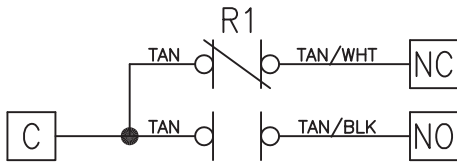
PUMP/ALARM POWER CIRCUIT
115V - 1PH

NOTE: BOTH MOTOR MUST HAVE
INTERNAL OVERLOAD PROTECTION.



PUMP RATINGS:
3/4HP @ 115V
15.0 F.L.A.

AUXILIARY CONTACTS
5A @ 230VAC MAX



NOTES: MAIN PANEL DISCONNECT MUST BE PROVIDED BY INSTALLER.
DASHED LINES INDICATE ITEMS NOT CONTAINED IN THE PANEL.
FIELD WIRING MUST BE A MINIMUM OF 60°C COPPER WIRE.
REQUIRED TORQUE FOR TERMINAL BLOCK SCREWS IS 9 in-lbs.



ALL INFORMATION CONTAINED IN THIS DRAWING IS
CONFIDENTIAL AND PROPRIETARY TO CONERY MFG.

CHANGES	TOLERANCES	DRAWN BY	DATE	SCHEMATIC, ELECTRICAL	
F	DECIMALS	D.M.	8/7/2014	SCALE:	PART NO.
E	.XXX = ±.005	MATERIAL SPECIFICATION: AS NOTED		FULL	EXT ALARM II
D	.XX = ±.010				
C	FRACTIONAL				
B	X/X = ±.1/64				
A	ANGLES X° = ±1/2°				