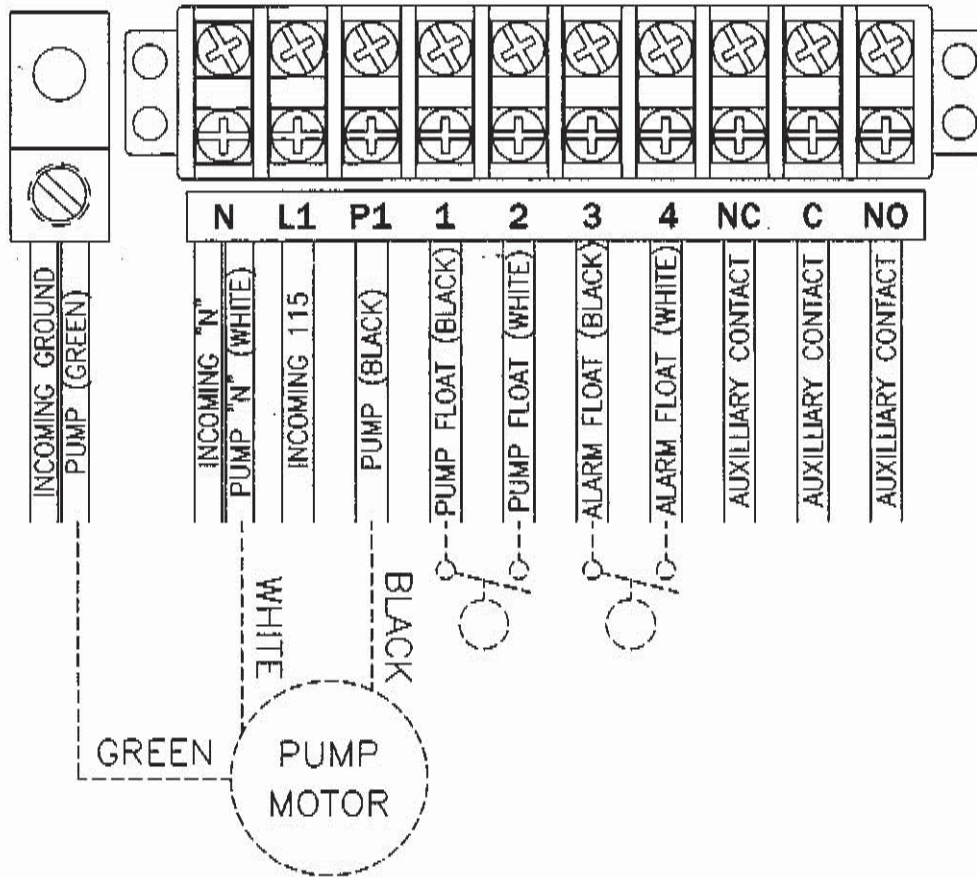


CONNECTION DIAGRAM

TIGHTENING TORQUE FOR TERMINAL BLOCK IS 9 in-lbs.



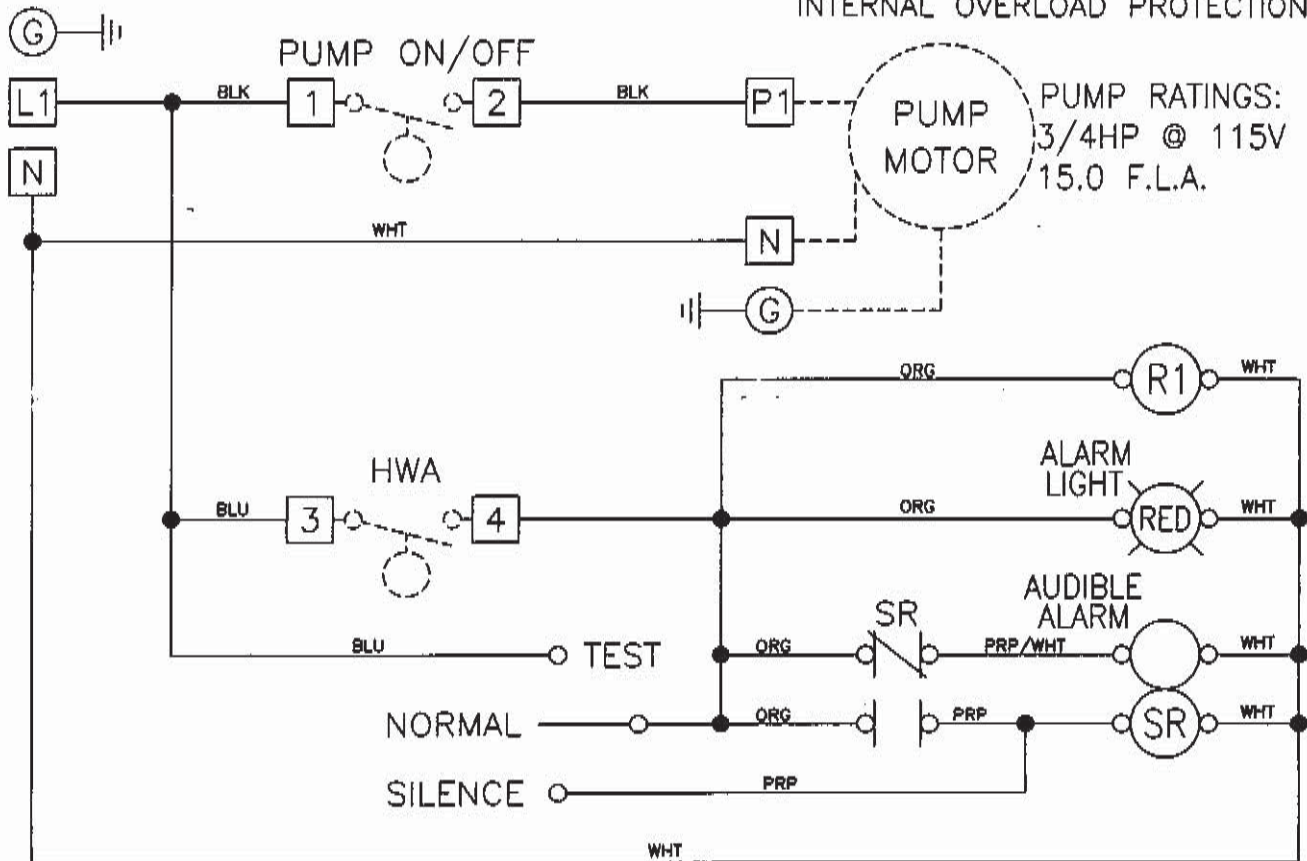
ALL INFORMATION CONTAINED IN THIS DRAWING IS CONFIDENTIAL AND PROPRIETARY TO SEPTIC PRODUCTS, INC.



CHANGES	TOLERANCES	DRAWN BY	DATE	CONNECTION DIAGRAM	
F	DECIMALS .XXX = ±.005 .XX = ±.010 FRACTIONAL X/X = ±.1/64 ANGLES X° = ±1/2°	C. BARRICK	8/7/2014	SCALE: PART NO.	
E		MATERIAL SPECIFICATION: AS NOTED			
D					
C					
B					
A					

PUMP/ALARM POWER CIRCUIT
115V - 1PH

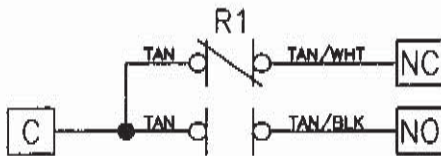
NOTE: BOTH MOTOR MUST HAVE
INTERNAL OVERLOAD PROTECTION.



PUMP RATINGS:
3/4HP @ 115V
15.0 F.L.A.

AUXILIARY CONTACTS
5A @ 230VAC MAX

NOTES: MAIN PANEL DISCONNECT MUST BE PROVIDED BY INSTALLER.
DASHED LINES INDICATE ITEMS NOT CONTAINED IN THE PANEL.
FIELD WIRING MUST BE A MINIMUM OF 60°C COPPER WIRE.
REQUIRED TORQUE FOR TERMINAL BLOCK SCREWS IS 9 in-lbs.



ALL INFORMATION CONTAINED IN THIS DRAWING IS
CONFIDENTIAL AND PROPRIETARY TO CONERY MFG.

CHANGES	TOLERANCES	DRAWN BY	DATE	SCHEMATIC, ELECTRICAL	
F	DECIMALS .XXX = ±.005	D.M.	8/7/2014	SCALE: PART NO. FULL EXT ALARM II	
E	.XX = ±.010	MATERIAL SPECIFICATION:			
D	FRACTIONAL X/X = ±.1/64	AS NOTED			
C	ANGLES X' = ±1/2'				
B					
A					