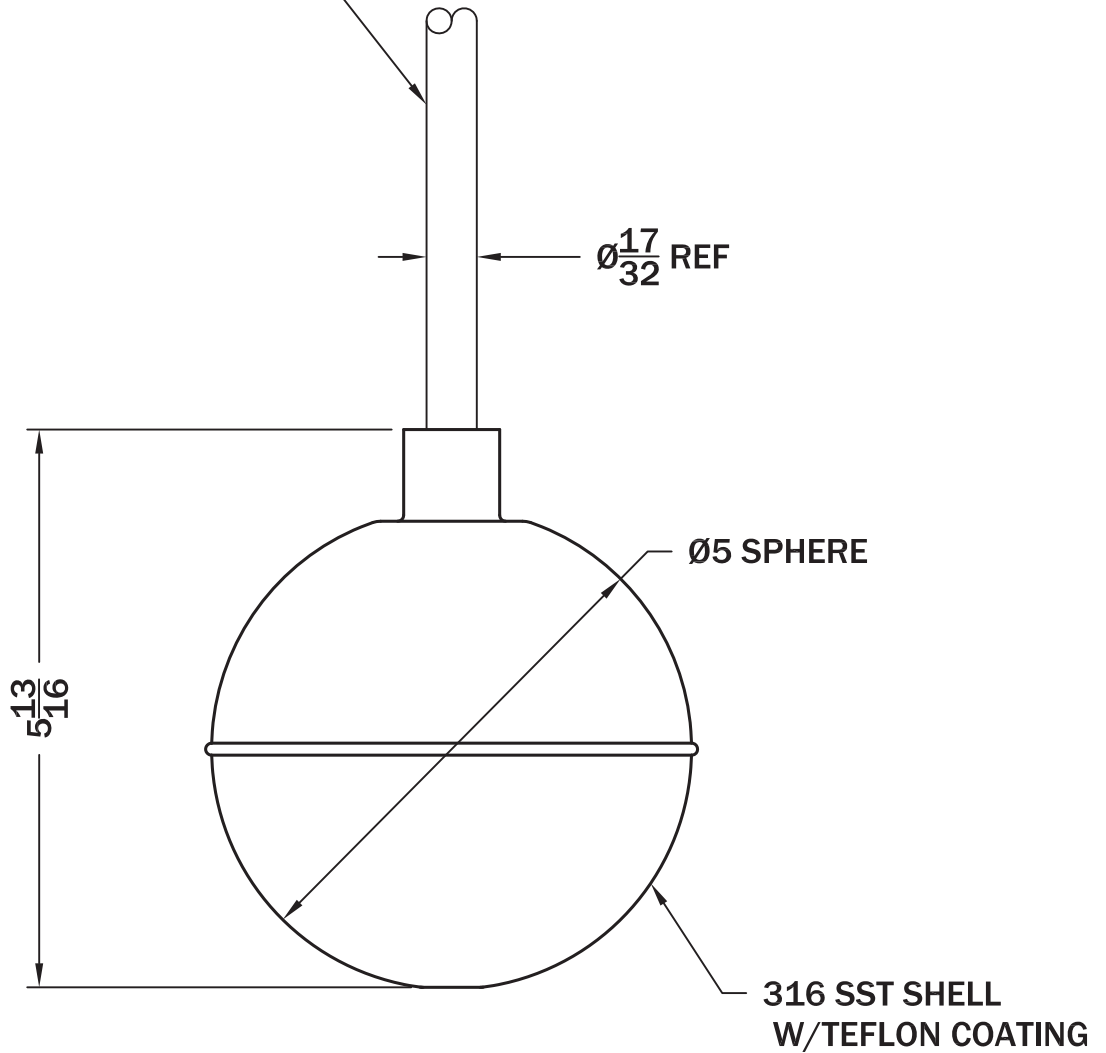




SSF FLOAT

14/3 SOOW CABLE



ALL INFORMATION CONTAINED IN THIS DRAWING IS
CONFIDENTIAL AND PROPRIETARY TO CONERY MFG, INC.



CHANGES	TOLERANCES	DRAWN BY	DATE
F	DECIMALS	D. MIDDLETON	02/20/04
E	.XXX = ±.005	MATERIAL SPECIFICATION: NARROW ANGLE MERCURY FLOAT	
D	.XX = ±.010		
C	FRACTIONAL		
B	X/X = ±.1/64		
A	ANGLES		
	X' = ±1/2'		

SPECIFICATION SHEET
SSF SST FLOAT

SCALE: PART NO.
HALF SSF FLOAT