

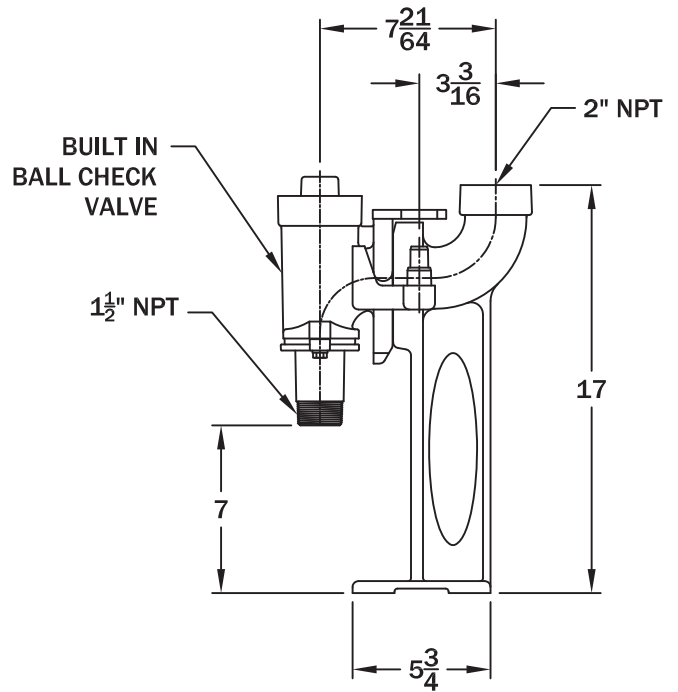
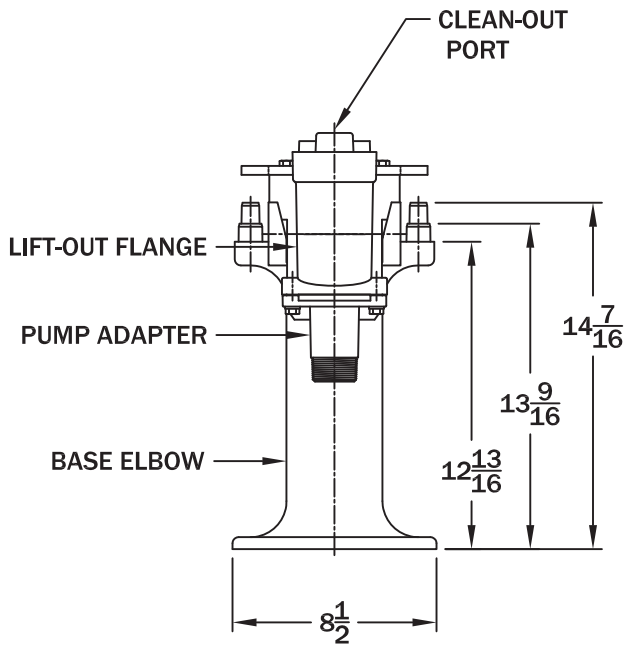
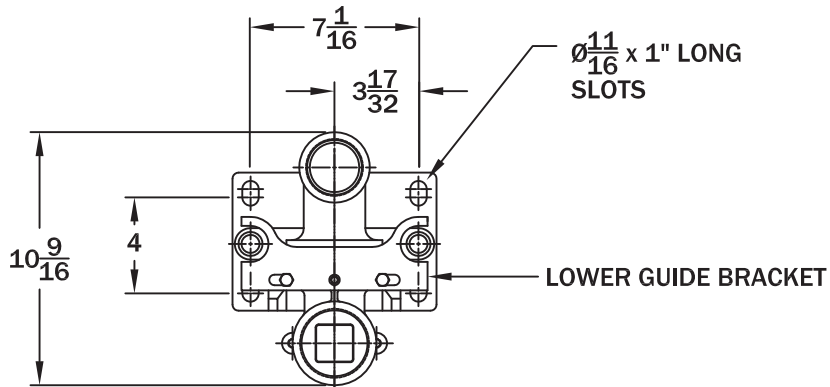
NOTE: ALL DIMENSIONS ARE IN INCHES.

MATERIALS OF CONSTRUCTION:

- PUMP ADAPTER: 304 SST
- BASE ELBOW: CAST DUCTILE IRON
- LIFT-OUT FLANGE: CAST DUCTILE IRON
- LOWER GUIDE BRACKET: 304 SST
- ALL FASTENERS ARE 304 SERIES SST
- USABLE RAIL SIZES:  $\frac{3}{4}$ " & 1"
- MAXIMUM WEIGHT ALLOWANCE: 250 lbs

BERS-0150CV

PAGE  
1



ALL INFORMATION CONTAINED IN THIS DRAWING IS CONFIDENTIAL AND PROPRIETARY TO CONERY MFG, INC.



CHANGES	TOLERANCES	DRAWN BY	DATE
F	DECIMALS .XXX = ±.005 .XX = ±.010 FRACTIONAL X/X = ±.1/64 ANGLES X° = ±1/2°	D. MIDDLETON	03/05/04
E		MATERIAL SPECIFICATION:  AS NOTED	
D			
C			
B			
A			

SPECIFICATION SHEET  
DIMENSIONAL DATA

SCALE: 1/8 PART NO. 1-1/2" LIFT OUT DIM