

NOTE: ALL DIMENSIONS ARE IN INCHES.

MATERIALS OF CONSTRUCTION:

- PUMP ADAPTER: 304 SST
- BASE ELBOW: CAST DUCTILE IRON
- LIFT-OUT FLANGE: CAST BRASS
- LOWER GUIDE BRACKET: CAST BRASS
- ALL FASTENERS ARE 304 SERIES SST

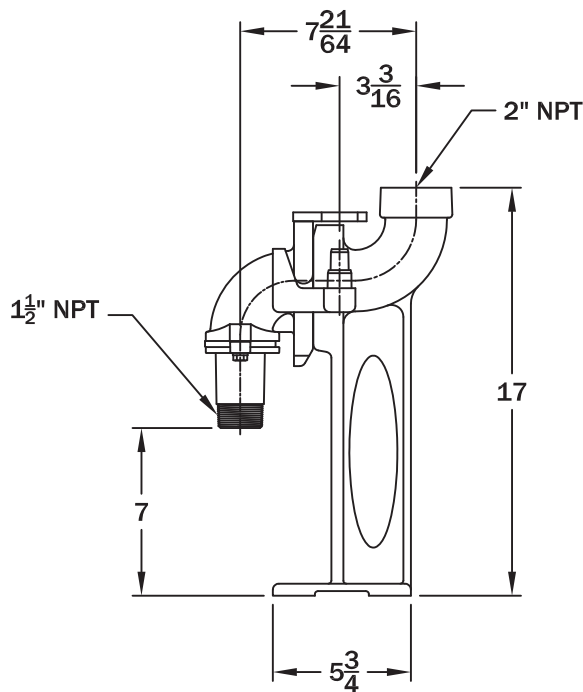
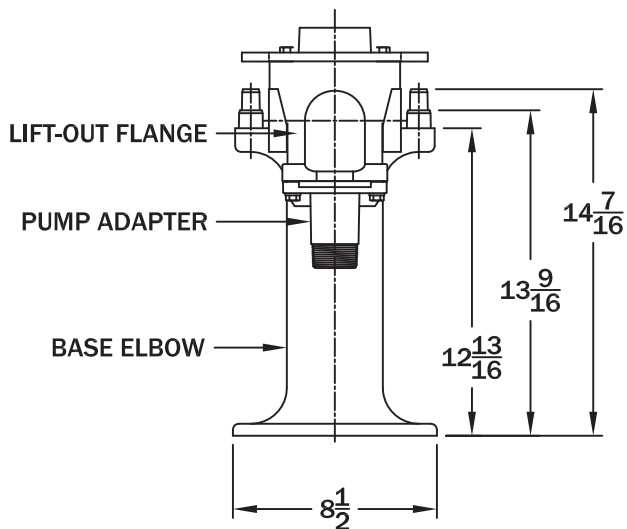
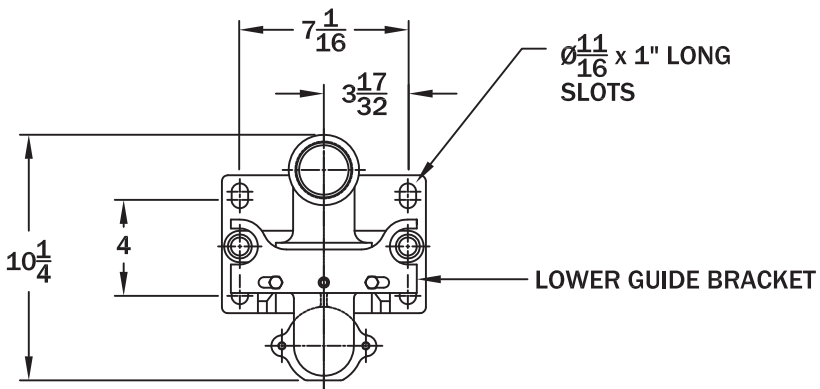
USABLE RAIL SIZES: $\frac{3}{4}$ " & 1"

MAXIMUM WEIGHT ALLOWANCE: 250 lbs

"NON-SPARKING DESIGN FOR USE IN APPLICABLE HAZARDOUS LOCATIONS"

BERS-0150EX

PAGE
1



ALL INFORMATION CONTAINED IN THIS DRAWING IS CONFIDENTIAL AND PROPRIETARY TO CONERY MFG, INC.



CHANGES	TOLERANCES	DRAWN BY	DATE
F	DECIMALS .XXX = ±.005 .XX = ±.010 FRACTIONAL X/X = ±.1/64 ANGLES X' = ±1/2'	D. MIDDLETON	03/05/04
E		MATERIAL SPECIFICATION: AS NOTED	
D			
C			
B			
A			

SPECIFICATION SHEET
DIMENSIONAL DATA

SCALE:	PART NO.
1/8	1 1/2" LIFT OUT DIM