

NOTE: ALL DIMENSIONS ARE IN INCHES.

MATERIALS OF CONSTRUCTION:

PUMP ADAPTER: 304 SST

BASE ELBOW: 316SST

LIFT-OUT FLANGE: 316SST

LOWER GUIDE BRACKET: 316 SST

ALL FASTENERS ARE 304 SERIES SST

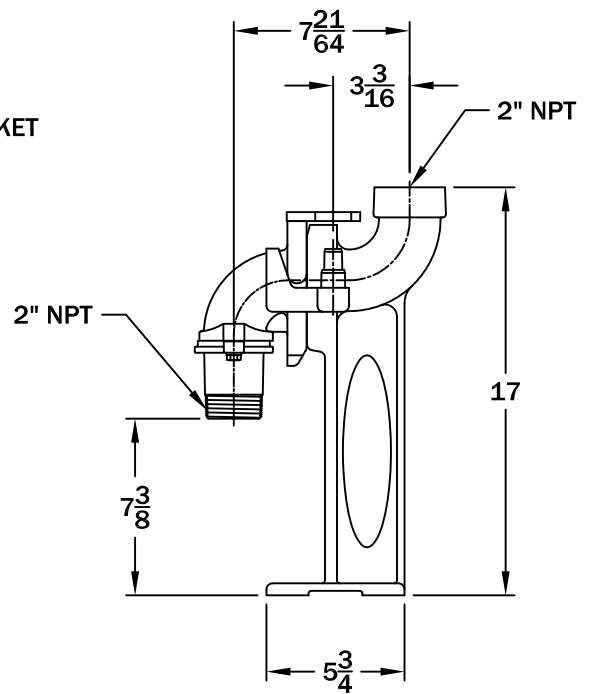
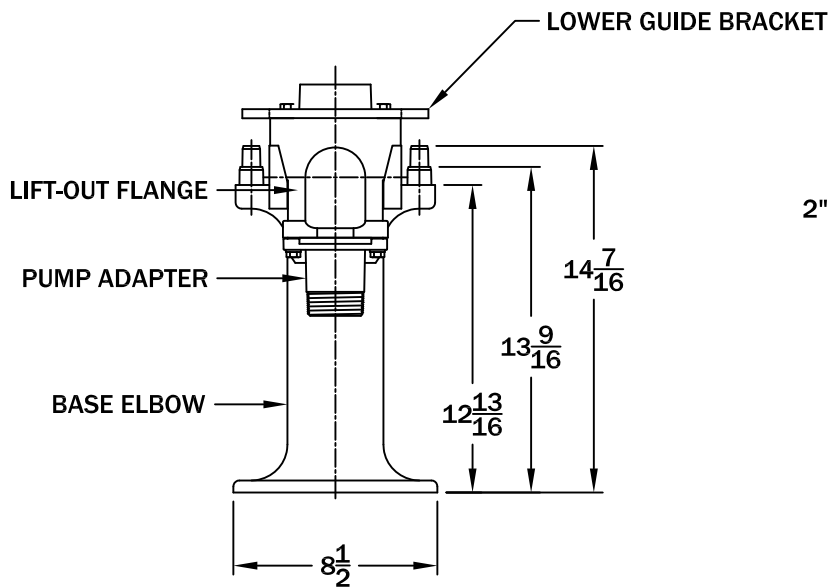
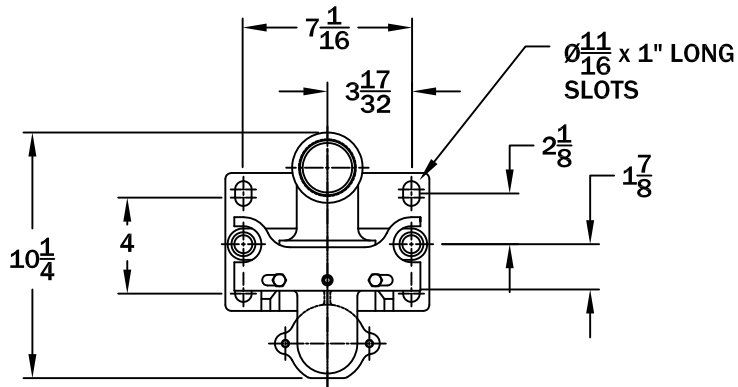
USABLE RAIL SIZES: $\frac{3}{4}$ " & 1"

MAXIMUM WEIGHT ALLOWANCE: 250 lbs

BERS-0200SST

PAGE

1



ALL INFORMATION CONTAINED IN THIS DRAWING IS CONFIDENTIAL AND PROPRIETARY TO CONERY MFG, INC.



CHANGES	TOLERANCES	DRAWN BY	DATE
F	DECIMALS	D. MIDDLETON	11/17/15
E	.XXX = ±.005	MATERIAL SPECIFICATION: AS NOTED	
D	.XX = ±.010		
C	FRACTIONAL		
B	X/X = ±.1/64		
A	ANGLES X° = ±1/2°		

SPECIFICATION SHEET
DIMENSIONAL DATA

SCALE:	PART NO.
1/8	2" LIFT OUT DIM