

NOTE: ALL DIMENSIONS ARE IN INCHES.

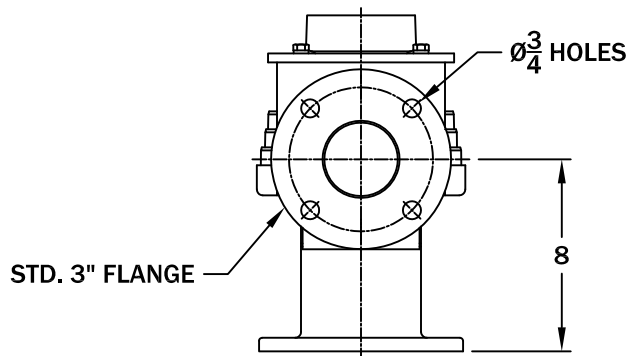
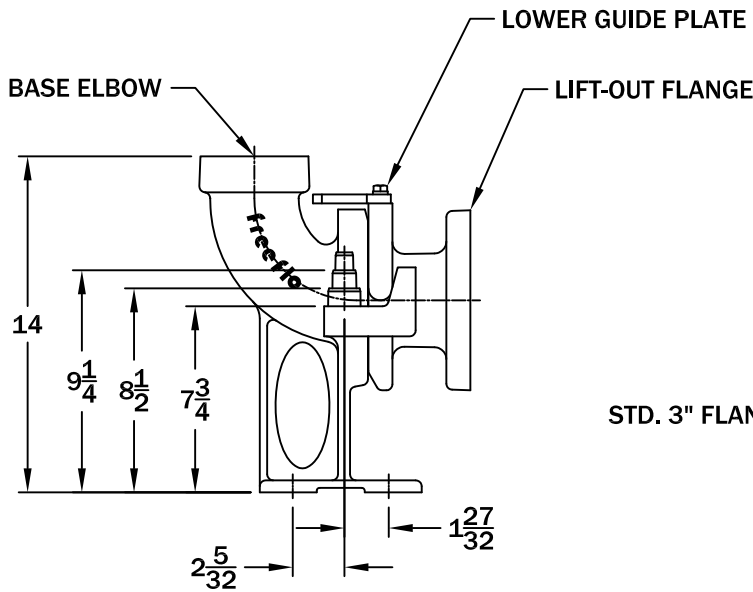
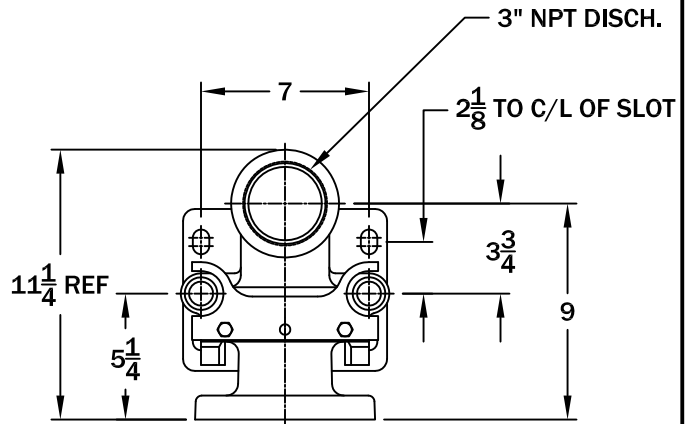
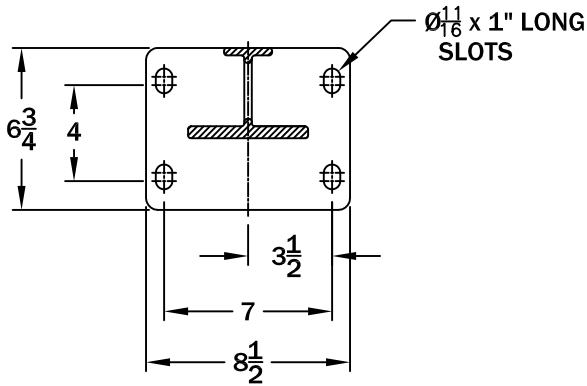
MATERIALS OF CONSTRUCTION:

- BASE ELBOW: 316 SST
- LIFT-OUT FLANGE: 316 SST
- LOWER GUIDE BRACKET: 316 SST
- ALL FASTENERS ARE 304 SERIES SST
- USEABLE GUIDE RAIL SIZES:  $\frac{3}{4}$ ", 1",  $1\frac{1}{4}$ "
- SPHERICAL SOLIDS SIZE: 3" Diameter.
- MAXIMUM WEIGHT ALLOWANCE: 450lbs.

**BERS-0300H-SST**

PAGE  
1

MOUNTING DIMENSIONS



ALL INFORMATION CONTAINED IN THIS DRAWING IS CONFIDENTIAL AND PROPRIETARY TO CONERY MFG, INC.



CHANGES	TOLERANCES	DRAWN BY	DATE
F	DECIMALS .XXX = ±.005 .XX = ±.010 FRACTIONAL X/X = ±.1/64 ANGLES X' = ±1/2°	D. MIDDLETON	11/15/15
E		MATERIAL SPECIFICATION:  AS NOTED	
D			
C			
B			
A			

<b>SPECIFICATION SHEET</b> <b>DIMENSIONAL DATA</b>	
SCALE:	PART NO.
1/8	3" LIFT OUT DIM