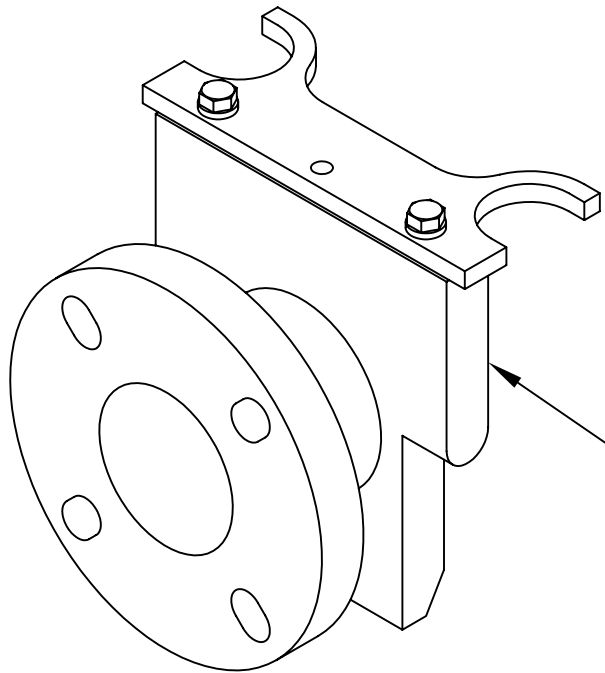


LGB-0125 GUIDE BRACKET
NON-CORROSIVE
300 SERIES SST

POF-0300H FLANGE
65-45-12 DUCTILE IRON
FITS STANDARD 3" ANSI FLANGES.
USABLE WITH 1" & 1 1/4"
GUIDE RAILS.

SUPPLIED WITH BUNA-N O'RING SEAL

POF-0325H FLANGE
65-45-12 DUCTILE IRON
FITS STANDARD 2 1/2" ANSI FLANGES
USABLE WITH 1" & 1 1/4"
GUIDE RAILS.



ALL INFORMATION CONTAINED IN THIS DRAWING IS
CONFIDENTIAL AND PROPRIETARY TO CONERY MFG, INC.



CHANGES	TOLERANCES	DRAWN BY	DATE	SPECIFICATION SHEET DIMENSIONAL DATA	
F	DECIMALS	D. MIDDLETON	03/17/07	SCALE:	PART NO.
E	.XXX = ±.005	MATERIAL SPECIFICATION: AS NOTED		1/4	PULL-OUT FLANGE
D	.XX = ±.010				
C	FRACTIONAL				
B	x/x = ±.1/64				
A	ANGLES x' = ±1/2'				