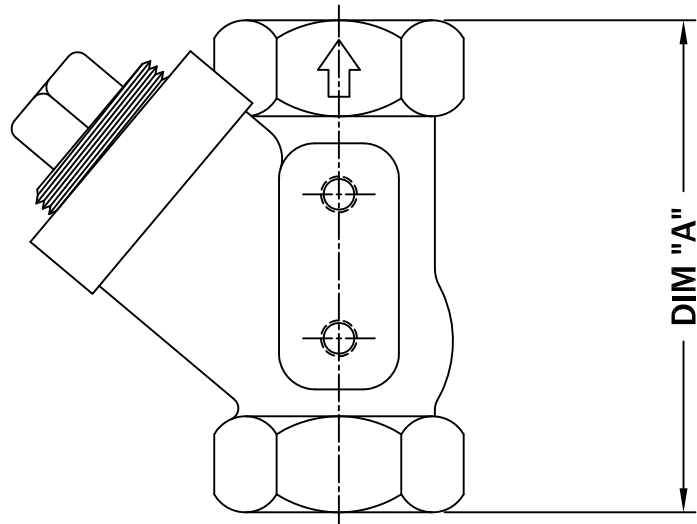
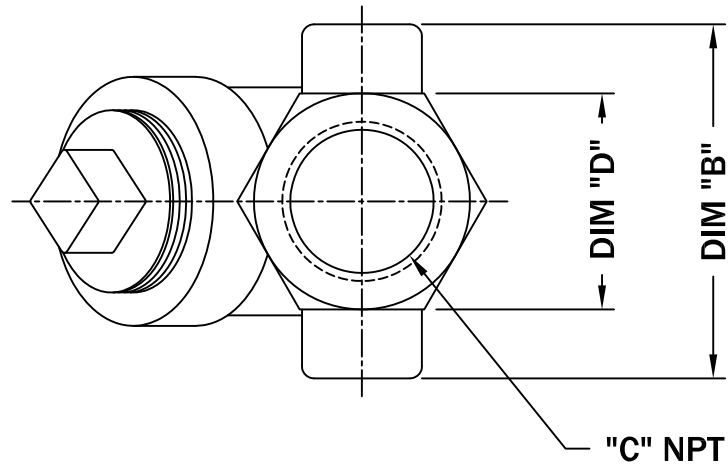


CIBV125 SHOWN

CHECK VALVE

PAGE
1



MODEL NO.	DIA. "A"	DIM "B"	"C" NPT	DIM "D"	MAX SOLIDS
CIBV125	5 1/8"	3 11/16"	1 1/4"	2 1/4"	Ø1 1/4"
CIBV150	6 3/4"	5 1/16"	1 1/2"	3 1/4"	Ø1 1/2"
CIBV200	6 3/4"	5 1/16"	2"	3 1/4"	2"

ALL INFORMATION CONTAINED IN THIS DRAWING IS CONFIDENTIAL AND PROPRIETARY TO CONERY MFG, INC.



CHANGES	TOLERANCES	DRAWN BY	DATE
F	DECIMALS .xxx = ±.005 .xx = ±.010 FRACTIONAL x/x = ±.1/64 ANGLES x' = ±1/2'	D. MIDDLETON	04/08/04
E		MATERIAL SPECIFICATION: CAST IRON	
D			
C			
B			
A			

SPECIFICATION SHEET
DIMENSIONAL DATA

SCALE: PART NO.
HALF CAST IRON