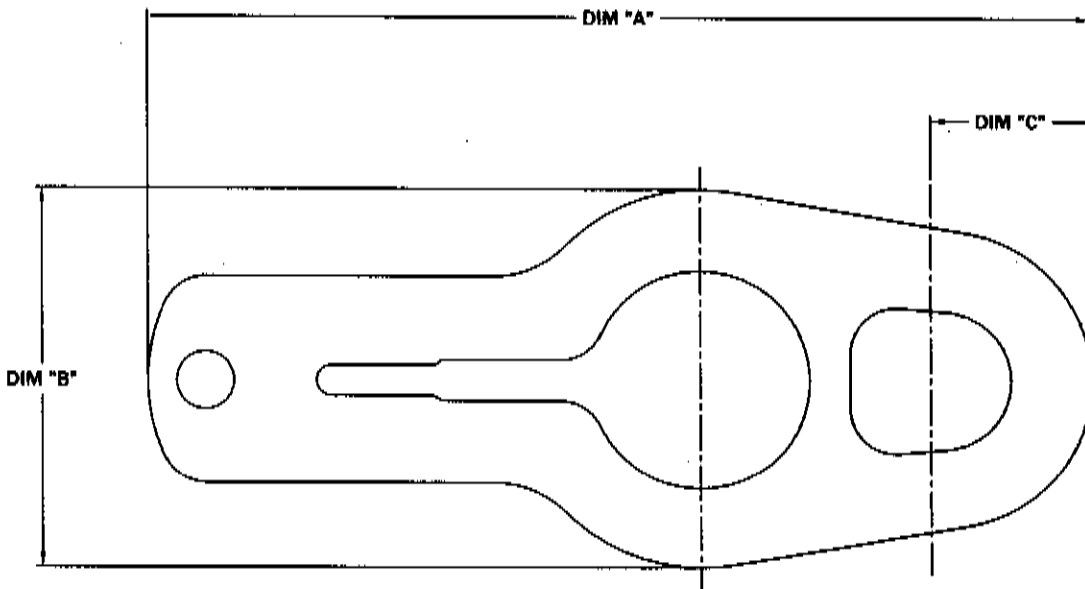


GRAB LINK

PAGE
1

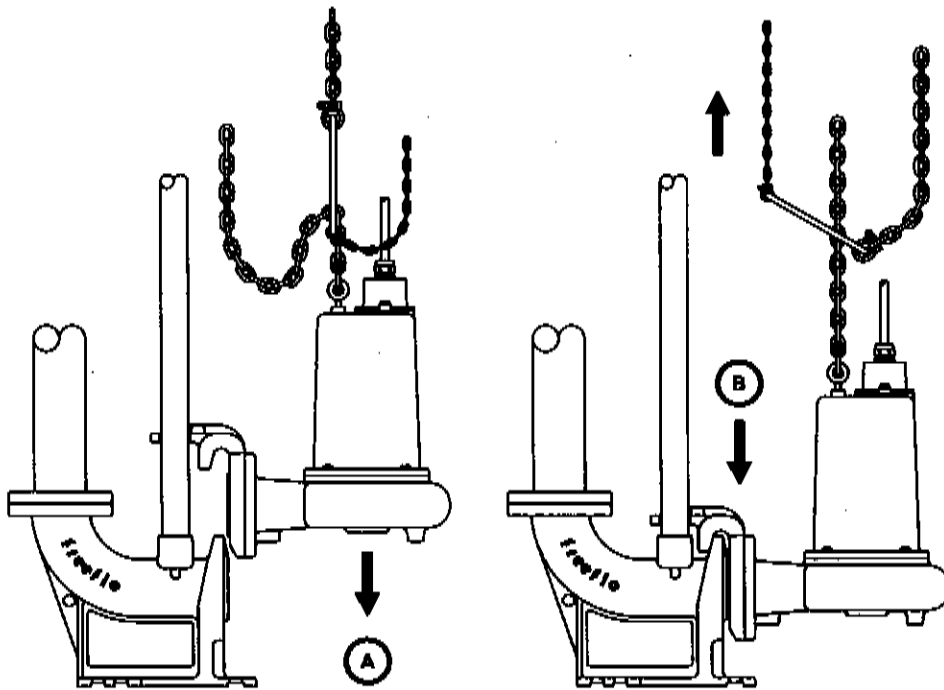


	DIM "A"	DIM "B"	DIM "C"	WORKS WITH	THICKNESS
GRABLINK	10 1/4"	4 1/8"	1 3/4"	1/8" - 3/8" CHAIN	1/2"

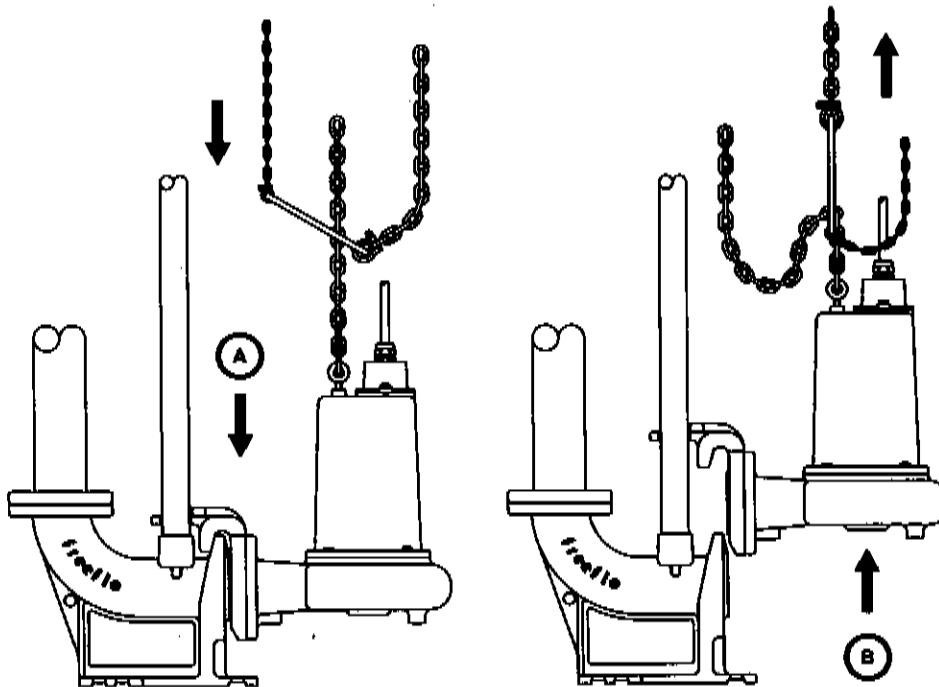
ALL INFORMATION CONTAINED IN THIS DRAWING IS
CONFIDENTIAL AND PROPRIETARY TO CONERY MFG, INC.



CHANGES	TOLERANCES	DRAWN BY	DATE	SPECIFICATION SHEET DIMENSIONAL DATA	
F	DECIMALS .XXX = ±.005 .XX = ±.010 FRACTIONAL X/X = ±1/64 ANGLES X° = ±1/2°	D. MIDDLETON	01/21/08	SCALE:	PART NO.
E		MATERIAL SPECIFICATION: 300 SERIES SST		HALF	STAINLESS STEEL
D					
C					
B					
A					



INSTALLING PUMP IN TANK



LIFTING PUMP FROM TANK